

DTSU666-H 100 A and 250 A

05

2021-10-10



Copyright © Huawei Technologies Co., Ltd. 2021. All rights reserved.

Huawei Technologies Co., Ltd.

Trademarks and Permissions



Huawei

Huawei Technologies Co., Ltd.

Huawei




Huawei Technologies Co., Ltd.


: Huawei Industrial Base
Bantian, Longgang
Shenzhen 518129
People's Republic of China

Website: <https://e.huawei.com>

DTSU666-H (100 A/40 mA) DTSU666-H 250
A/50 mA Smart Power Sensor
DTSU666-H (100 A/40 mA)
DTSU666-H.

-
-
-

NOTICE	
 NOTE	

05 (2021-10-10)

- [2.3](#)
- [4.4](#)

04 (2021-03-01)

[4.4](#)

03 (2019-12-10)

- [2.5](#)
- [4.4](#)
- [5](#)

02 (2019-08-30)

DTSU666-H 250 A/50 mA

01 (2018-03-01)

	ii	1
	1	2
	4	2.1
	4	2.2
		5
2.2.1		5
2.2.2		6
2.3		9
2.4		10
2.5		11
3		15
3.1		15
4		17
4.1		17
4.2		17
4.3		19
4.4		20
5		24
6		28

1

- Huawei. Huawei,
- «DANGER», «WARNING», «CAUTION» «NOTICE»
-
-
-
-
-
-
-
-
-
-
-

-
-
- DTSU666-H DTSU666-H 250 A/50 mA
-
-
-
-
-

DTSU666-H DTSU666-H 250 A/50 mA,

-
-
-
-
-
- ()

DTSU666-H 250 A/50 mA,

DTSU666-H

- DTSU666-H 250 A/50 mA, DTSU666-H
- DTSU666-H 250 A/50 mA
- DTSU666-H DTSU666-H 250 A/50 mA



DTSU666-H DTSU666-H 250 A/50 mA

-

 **DANGER**

DTSU666-H DTSU666-H 250 A/50 mA. DTSU666-H
DTSU666-H 250 A/50 mA

-
- DTSU666-H DTSU666-H 250 A/50 mA

-

 **DANGER**

DTSU666-H DTSU666-H 250 A/50 mA.
 DTSU666-H DTSU666-H 250 A/50 mA
 DTSU666-H DTSU666-H 250 A/50 mA.

-
- DTSU666-H DTSU666-H 250 A/50 mA

-

- DTSU666-H DTSU666-H 250 A/50 mA

-

2

2.1

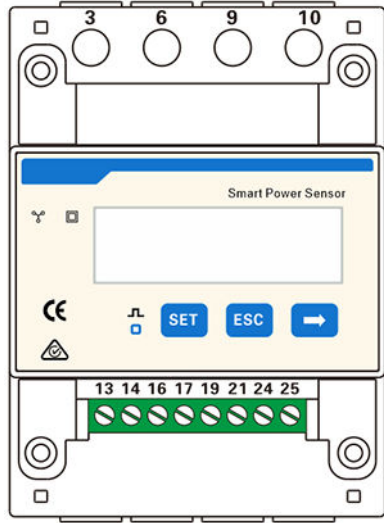
DTSU666-H DTSU666-H 250 A/50 mA (

« »)

DIN- DIN35 ,

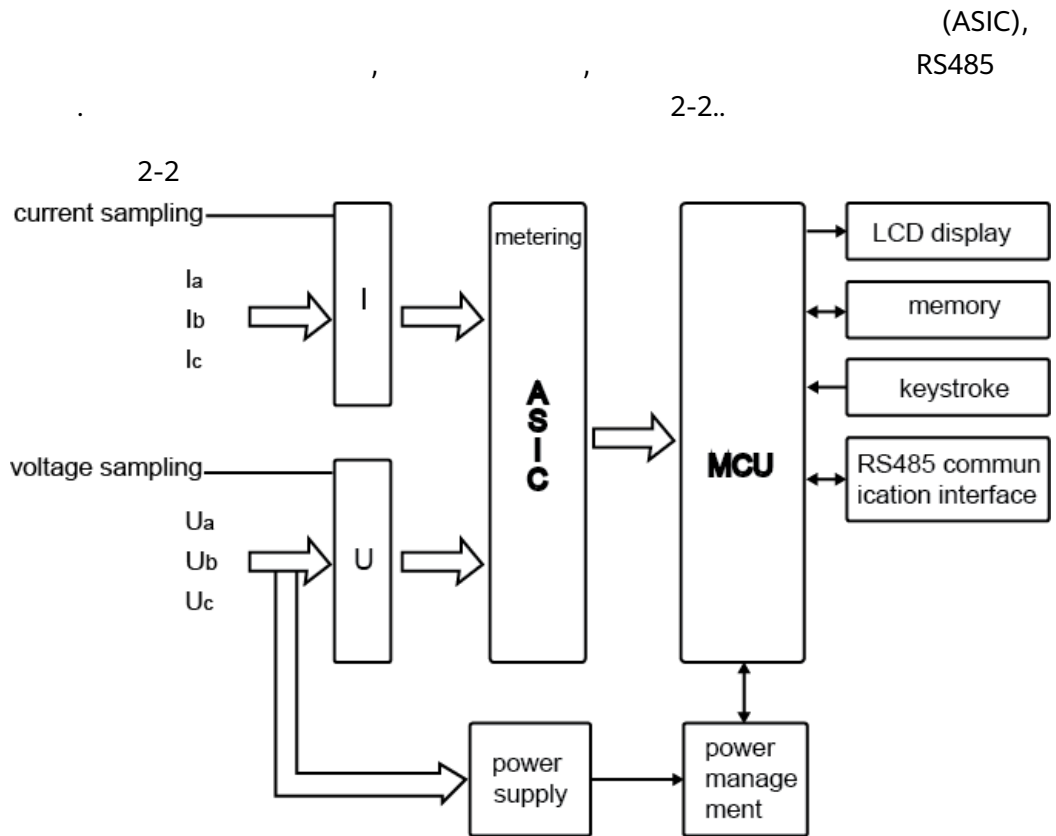
- EN 61326-1:2013
- IEC 61326-1:2012
- EN 61326-2-1:2013
- IEC 61326-2-1:2012
- EN 61010-1:2010
- IEC 61010-1:2010
- EN 61010-2-1:2010
- IEC 61010-2-1:2010

Figure 2-1 DTSU666-H or DTSU666-H 250 A/50 mA



2.2

2.2.1



2.2.2

• : ()
). 0,00 . 999999,9 . .

2-3



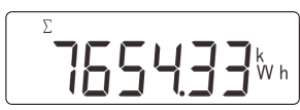

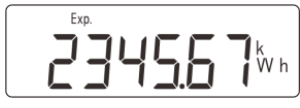
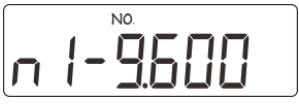
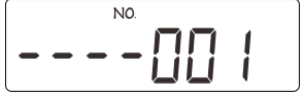

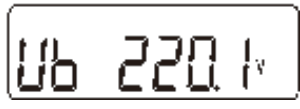
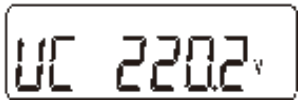



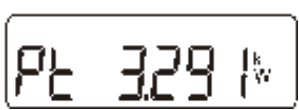
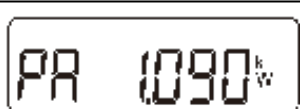
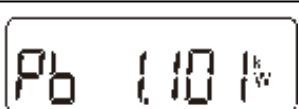
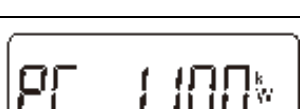
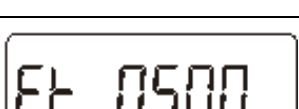




2-1 ()

No.			No.		
1		= 10000.0 kWh	2		Exp. = 2345.67 kWh
3		= 3.291 kW	4		A = 220.0 V
5		B = 220.1 V	6		C = 220.20 V
7		A = 5.000 A	8		B = 5.001 A
9		C = 5.002 A	10		= 50.00 Hz

NOTE

60 = 5 .

2-2 ()

No.			No.		
1		= 7654.33 kWh	2		= 10000.0 kWh
3		Exp. = 2345.67 kWh	4		None parity, 1 stop bit, baud = 9600 bps
5		001	6		A = 220.0 V
7		B = 220.1 V	8		C = 220.20 V
9		A = 5.000 A	10		= 5.001 A
11		= 5.002 A	12		= 3.291 kW
13		A = 1.090 kW	14		= 1.101 kW
15		= 1.100 kW	16		= 0.500 L
17		PFa = 1.000 L	18		PFb = 0.500 L
19		= 0.500 L PFc	20		freq = 50.00 Hz

 NOTE

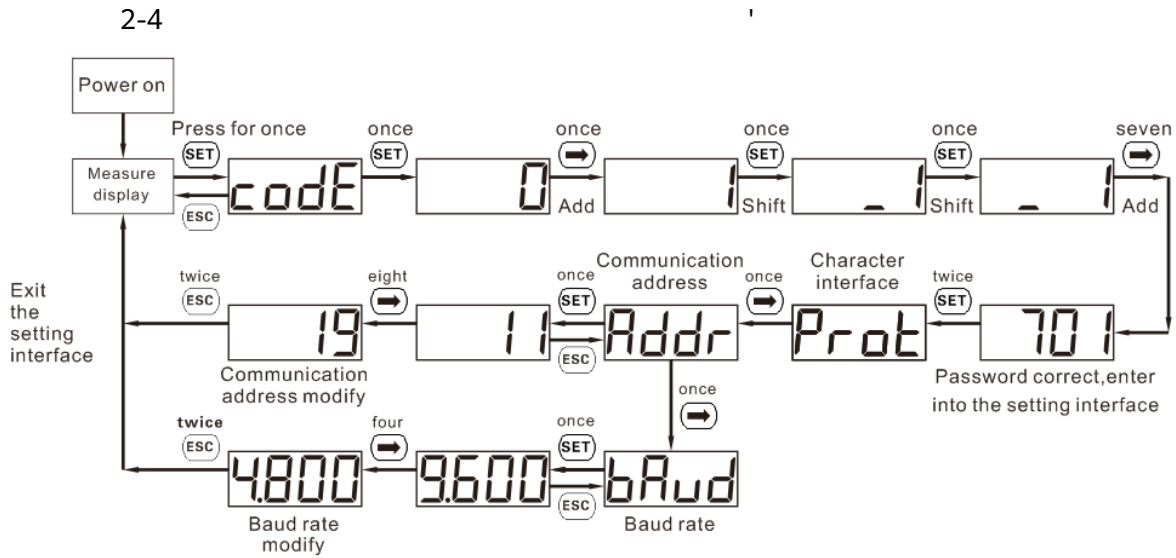
- "→" = - Exp.
- :

2-3

<i>Prot</i>	1: 645 2: n.2 3: n.1 4: E.1 5: O.1	1: 2: none parity, 2 stop bits, n.2 3: none parity, 1 stop bit, n.1 4: even parity, 1 stop bit, E.1 5: odd parity, 1 stop bit, O.1
<i>bAud</i>	0: 4.800 1: 9.600	0: 4800 bps 1: 9600 bps
<i>Addr</i>	11-19	

 NOTE

: SET ()
, ESC
701.



When modify digits, "SET" can be used as cursor shift button; "➡" is "add" button; "ESC" represents exiting the setting interface or switch to the character interface from digit modification interface, restarting adding from zero after setting the digits to be the maximum value.

•

RS485,
 1200 / , 2400 / , 4800 / 9600 / .
 - 9600 / ,
 1 , (.
 -), ModBus RTU.

2.3

1: (),

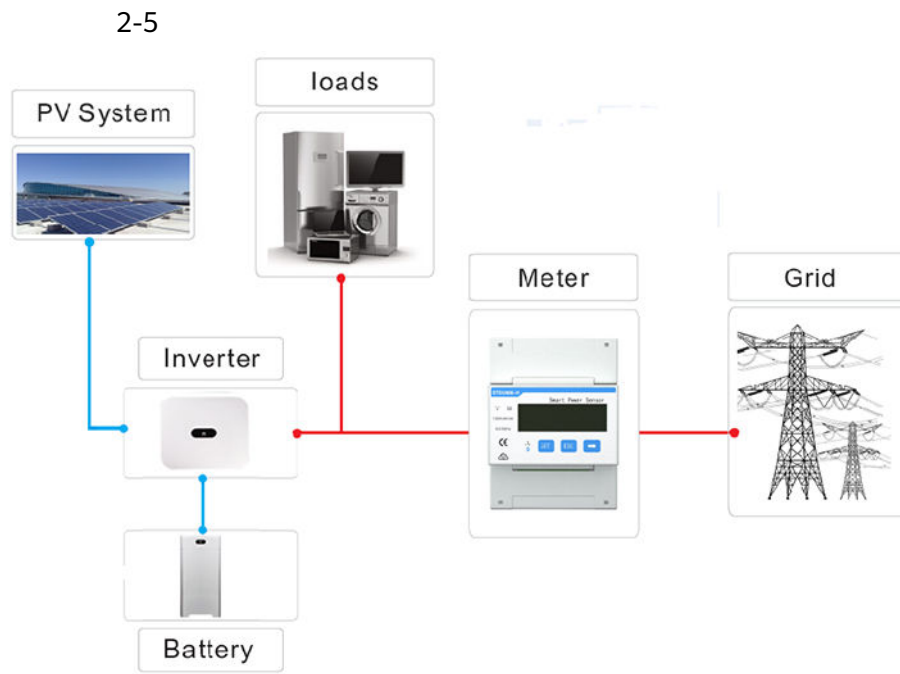
PV

RS485,

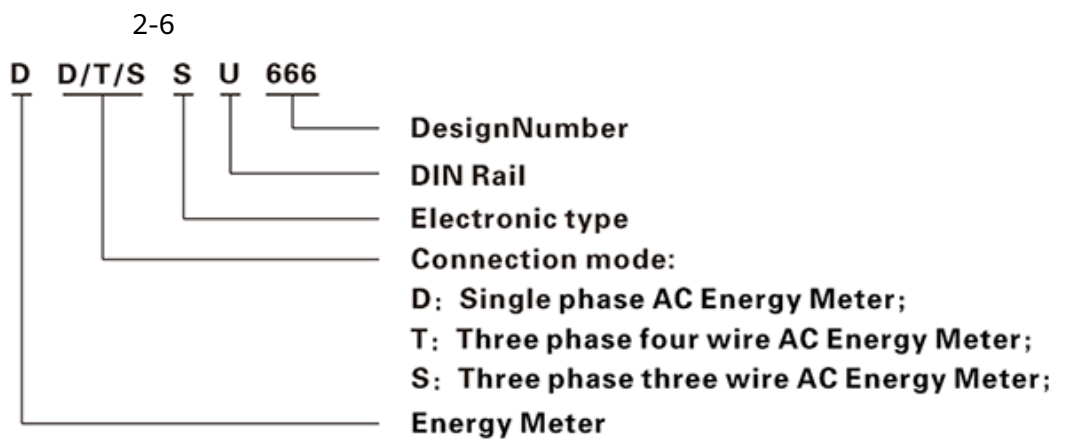
2:

RS485,

NOTE



2.4



2-4

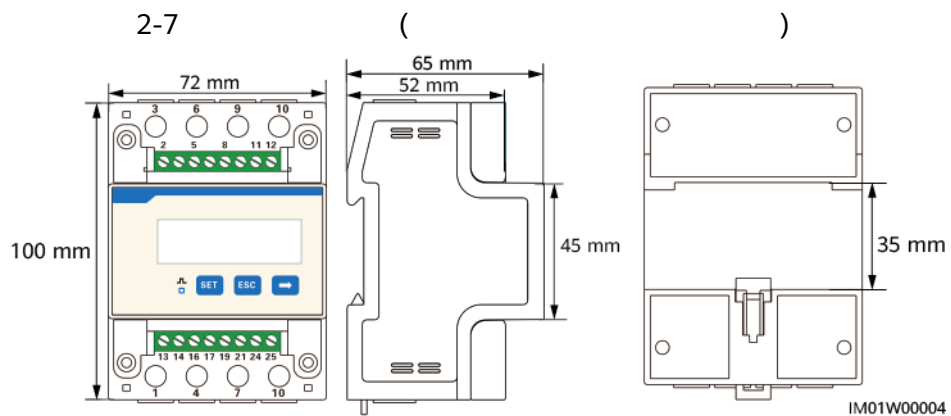
No.					
DTSU666-H	1	3 x 230/400 V	100 A/40 mA	400 imp/kWh	
DTSU666-H 250A/50mA	1	3 x 230/400 V or 3 x 400 V	250 A/50 mA	400 imp/kWh	

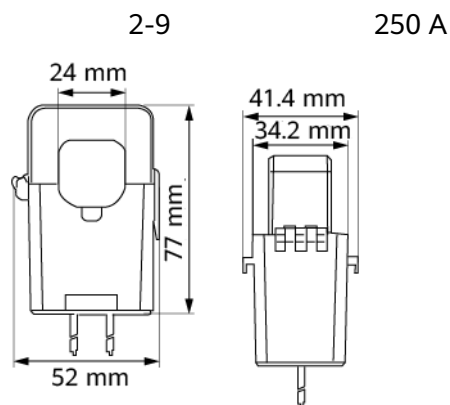
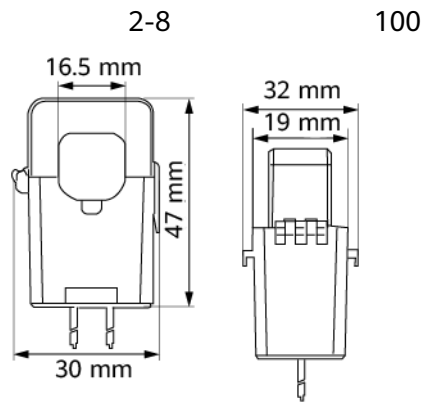
NOTE

2.5

2-5

No.		(H x W x D) mm	(Din-)	
DTSU666-H	4	72 x 100 x 65.5	DIN35 din-	100 A/40 mA
DTSU666-H 250 A/50 mA	4	72 x 100 x 65.5	DIN35 din-	200 A/50 mA

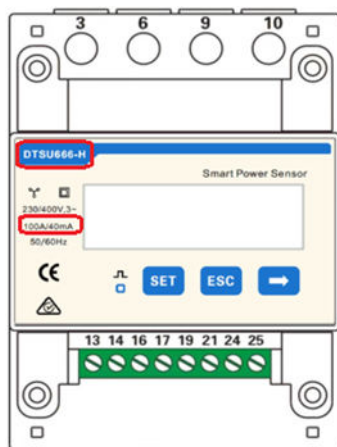




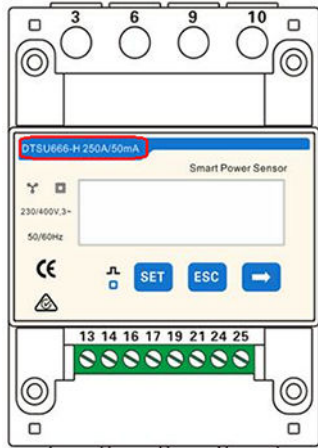
DTSU666-H DTSU666-H 250 A/50 mA:

-

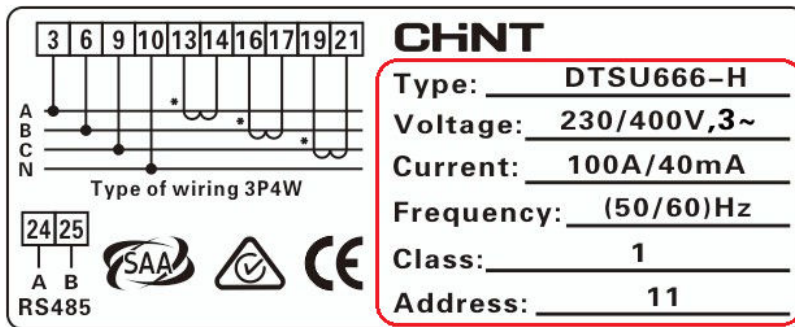
2-10 DTSU666-H



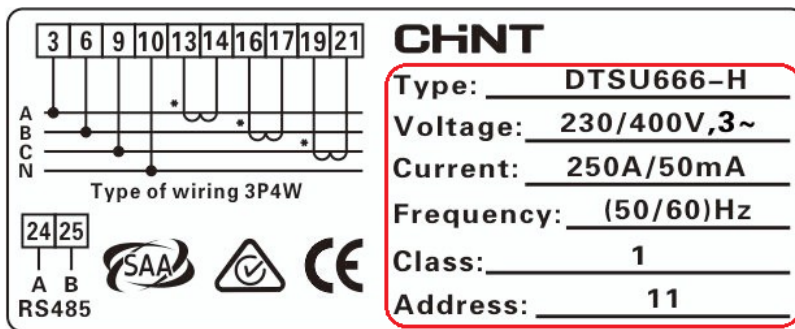
2-11 DTSU666-H 250 A/50 mA



2-12 DTSU666-H



2-13 DTSU666-H 250 A/50 mA



2-6

	DTSU666-H	DTSU666-H 250 A/50 mA
	230 V AC / 400 V AC	230 V AC / 400 V AC
	0-100 A	0-250 A
	3P4W	3P4W or 3P3W

3

3.1

3-1

	1. 2.	1. 2.
RS485	1. RS485 2.	1. 2.
	1. 2. Pa, Pb Pc	1. 2.

 NOTE

4

4.1

4-1

	-25°C to +60°C
	-40°C to +70°C
()	≤ 75% RH
Atmospheric pressure	86–106 kPa

4.2

4-2

	0.9–1.1 Un	
	0.7–1.3 Un	
	≤ 1.5 W/6 VA	
	I _b < 10 A	≤ 0.2 VA

	$I_b \geq 10 \text{ A}$	$\leq 0.4 \text{ VA}$
	$\geq 10 \text{ years}$	

4-3

	$0.01 I_n \leq I < 0.05 I_n$	1	± 1.5
	$0.05 I_n \leq I \leq I_{max}$	1	± 1.0
	$0.02 I_n \leq I < 0.1 I_n$	0.5 L, 0.8 C	± 1.5
	$0.1 I_n \leq I \leq I_{max}$	0.5 L, 0.8 C	± 1.0
	I_n : L: ; C:		

4-4

	$0.05 I_n \leq I \leq I_{max}$	1	± 2.0
	$0.1 I_n \leq I \leq I_{max}$	0.5 L	± 2.0
	I_n : L: ; C:		

1,0 2‰ In

(
).

115%

$$\Delta t \geq \frac{600 \times 10^6}{k \cdot m \cdot U_n \cdot I_{max}} \text{ [min]}$$

Δt:

1

: k -

(/ ·), m -

, Un -

(), I_{max} -

().

4-5

	0-999999.9 kWh
	Modbus-RTU

4.3

- IEC 61326-1:2012
- IEC 61326-2-1:2012
- EN 61326-1:2013
- EN 61326-2-1:2013
- EN 61000-3-2:2005/A2:2009
- EN 61000-3-3:2008

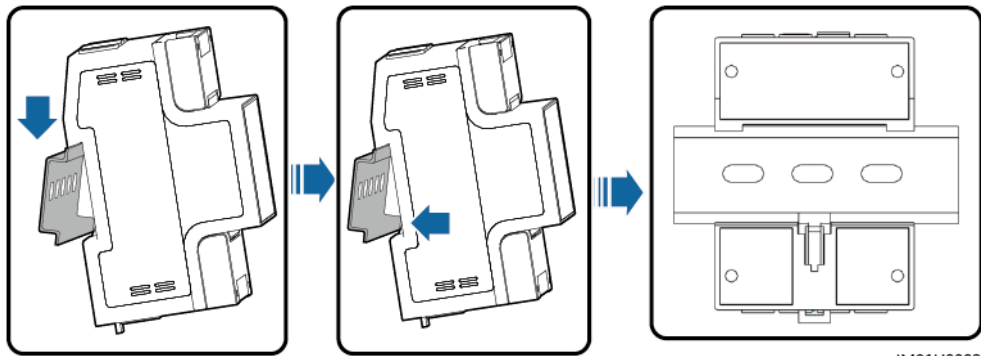
4.4

4-6

	din-
	1. , 2. , din-
(H x W x D)	72 mm x100 mm x 65.5 mm (±0.5 mm)
	≤ 0.8 kg

1. DIN- DIN35
 2. DIN-
- DIN-

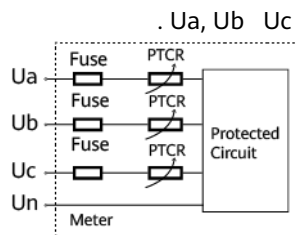
4-1



IM01H0002

NOTE

Ua, Ub Uc



DTSU666-H DTSU666-H 250 A/50 mA

()

	DTSU666-H				
	Ua-3		4-6 mm ²	10-21 mm	
	Ub-6				
	Uc-9				
	Un-10				
	IA*-13	-	-	-	
	IA-14	-	-	-	
	IB*-16	-	-	-	
	IB-17	-	-	-	
	IC*-19	-	-	-	
	IC-21	-	-	-	
	RS485A - 24		0.20-1 mm ²	4-11 mm	
	RS485B - 25				

NOTE

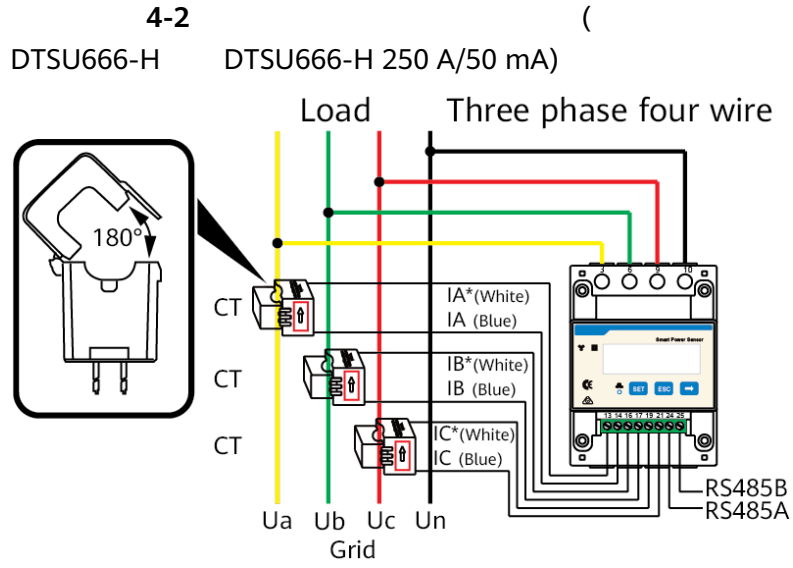
-
-

: 0.7-1.3 Un

1. : Ua, Ub, Uc, Un
3, 6, 9 10 IA*, IB*, IB, IC*, IC 13, 14, 16, 17, 19, 21
2. RS485A RS485B

NOTE

- SmartLogger RS485A RS485B SmartLogger.
- Smart Dongle RS485A RS485B
-



DTSU666-H 250 A/50 mA

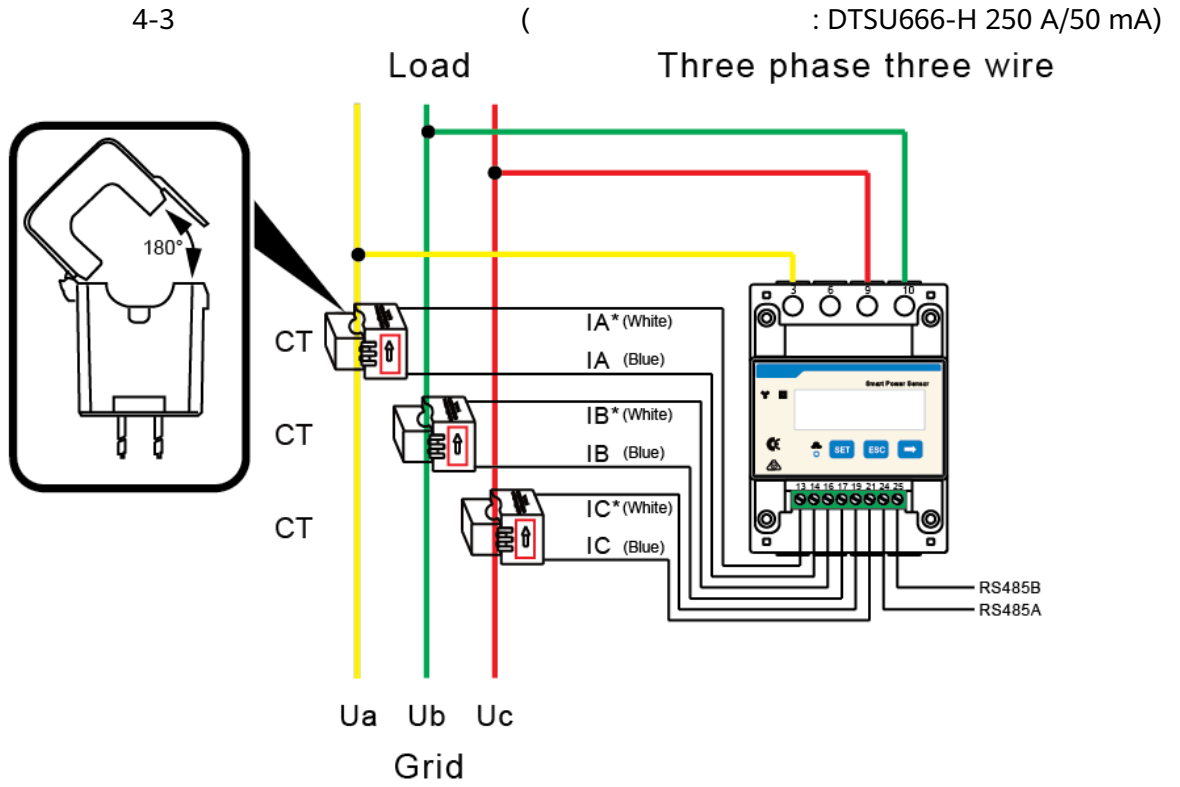
()

: 0.7-1.3 Un

1. : Ua, Uc, Ub 3, 9 10
IA*, IA, IB*, IB, IC*,
IC 13, 14, 16, 17, 19, 21
2. RS485A RS485B

NOTE

- SmartLogger RS485A RS485B SmartLogger.
- Smart Dongle RS485A RS485B



5

50 , , .
:

- JB/T 10665-2016
- JJG 313-2010

5-1

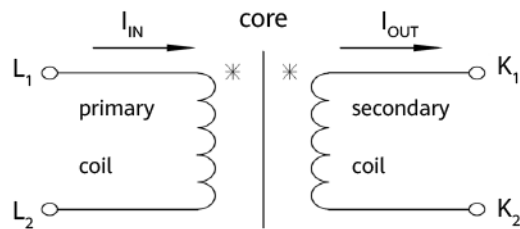
	-40°C to +70°C
	≤ 95% RH
	4000
	, , , , ,

5-2

	50/60 Hz

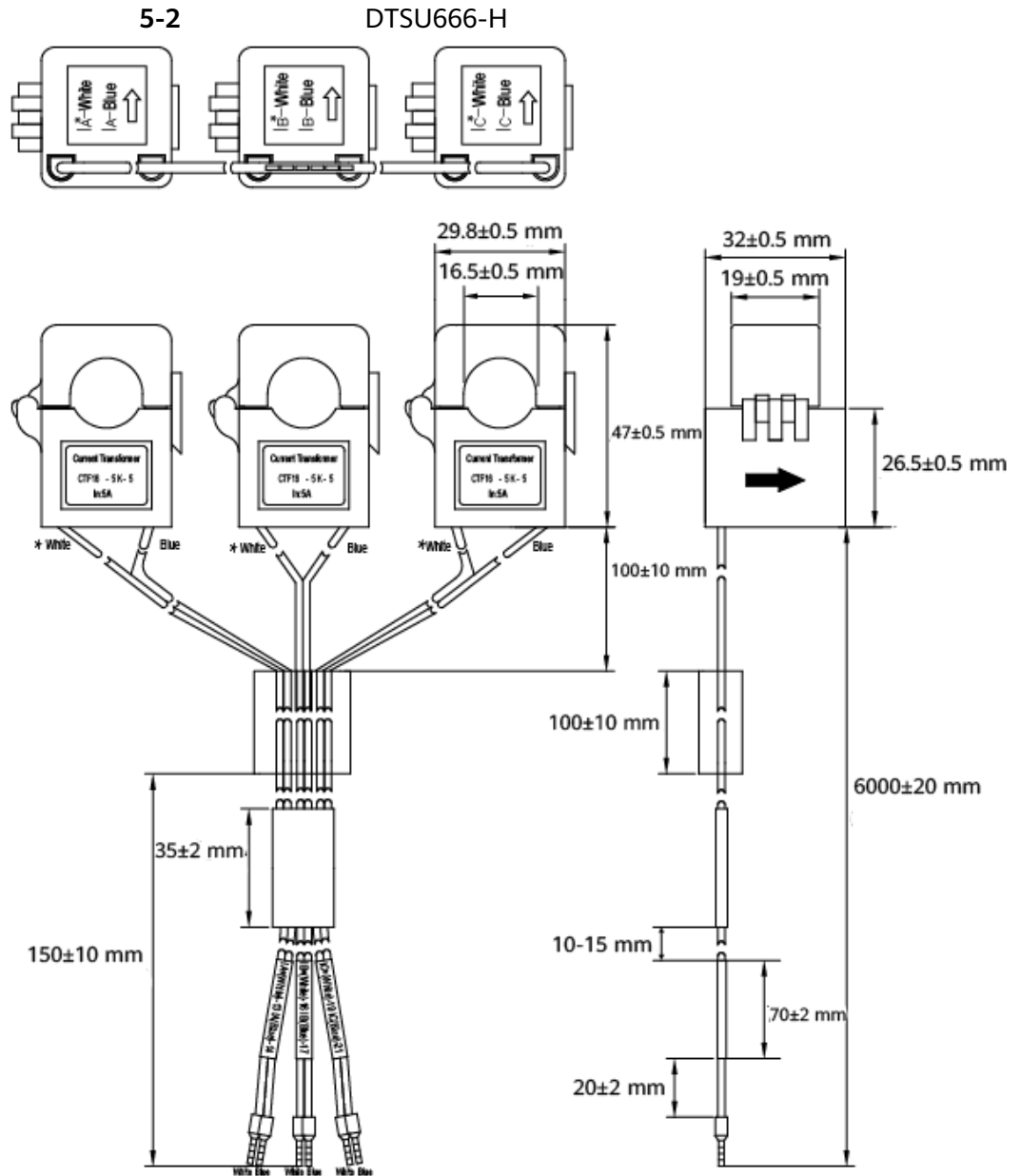
I_{pr}	<ul style="list-style-type: none"> • 100 A • 250 A
N	<ul style="list-style-type: none"> • 100 A, 2500 : 1 • 250 A, 5000 : 1
R_b	20 Ω
	0.5
	≥ 3 / , < 1
	$\geq 500 \text{ M}\Omega/500 \text{ V DC}$

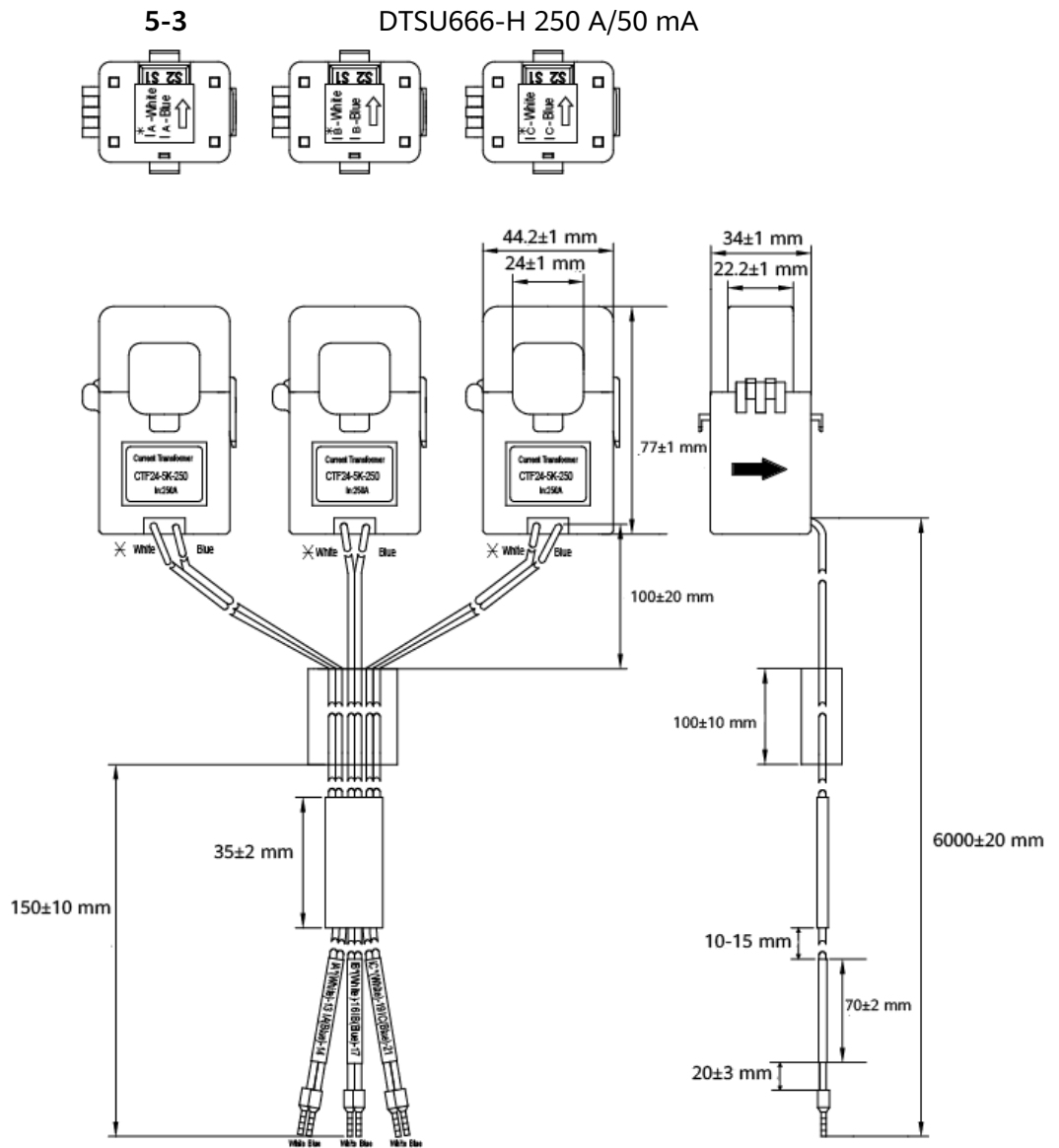
5-1



DTSU666-H

DTSU666-H 250 A/50 mA.





6

D

DC

E

EFT

EMI

EMS

ESD

M

MPPT

R

RE

RS