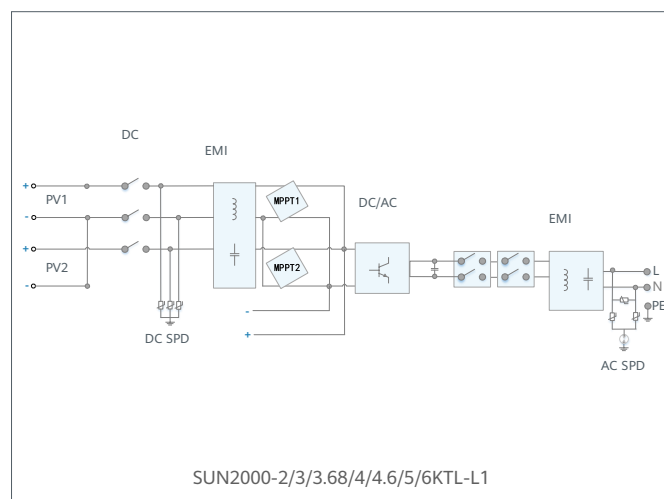
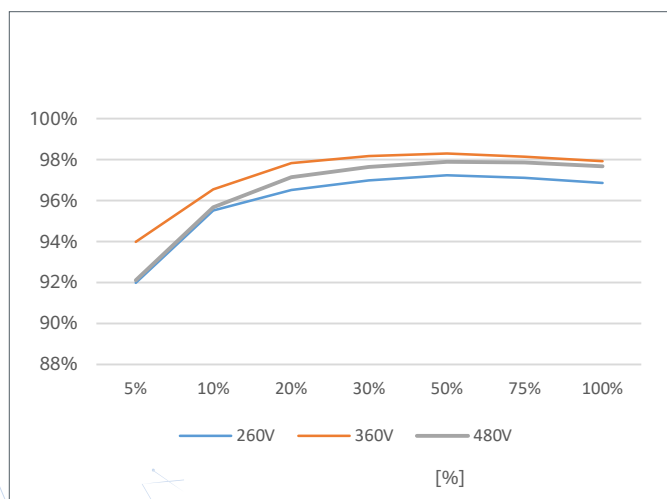




30%

2x

5KW AC  
5KW



	SUN2000 -2KTL-L1	SUN2000 -3KTL-L1	SUN2000 -3.68KTL-L1	SUN2000 -4KTL-L1	SUN2000 -4.6KTL-L1	SUN2000 -5KTL-L1	SUN2000 -6KTL-L1
	98.2 %	98.3 %	98.4 %	98.4 %	98.4 %	98.4 %	98.4 %
	96.7 %	97.3 %	97.3 %	97.5 %	97.7 %	97.8 %	97.8 %

(PV)							
PV	3,000 Wp	4,500 Wp	5,520 Wp	6,000 Wp	6,900 Wp	7,500 Wp	9,000 Wp
	600 V <sup>2</sup>						
	100 V						
MPPT	90 V – 560 V <sup>2</sup>						
	360 V						
MPPT	12.5 A						
	18 A						
MPP	2						
MPP	1						

(DC)							
	LG Chem RESU 7H_R / 10H_R						
	350 ~ 450 Vdc						
	10 A @7H_R / 15 A @10H_R						
	3,500 W @7H_R / 5,000 W @10H_R						
@7H_R	2,200 W	3,300 W	3,500 W	3,500 W	3,500 W	3,500 W	3,500 W
@10H_R	2,200 W	3,300 W	3,680 W	4,400 W	4,600 W	5,000 W	5,000 W

HUAWEI Smart LUNA2000 ESS Battery 5kWh – 30kWh							
	350 ~ 560 Vdc						
	15 A						
	5,000 W <sup>3</sup>						
	2,200 W	3,300 W	3,680 W	4,400 W	4,600 W	5,000 W	5,000 W

( )							
	Single phase						
	2,000 W	3,000 W	3,680 W	4,000 W	4,600 W	5,000 W <sup>4</sup>	6,000 W
	2,200 VA	3,300 VA	3,680 VA	4,400 VA	5,000 VA <sup>5</sup>	5,500 VA <sup>6</sup>	6,000 VA
	220 Vac / 230 Vac / 240 Vac						
	50 Hz / 60 Hz						
	10 A	15 A	16 A	20 A	23 A <sup>7</sup>	25 A <sup>7</sup>	27.3 A
	0.8 leading ... 0.8 lagging						
	≤ 3 %						

( )							
	Backup Box – B0						
	2,000 VA	3,000 VA	3,680 VA	4,000 VA	4,600 VA	5,000 VA	5,000 VA
	220 V / 230 V						
	9.1 A	13.6 A	16.7 A	18.2 A	20.9 A	22.7 A	22.7 A
	0.8 leading ... 0.8 lagging						

\*1 PV 10000  
 \*2 495  
 \*3 2,500 W @ 5kWh HUAWEI ESS battery  
 \*4 AS4777.2: 4,991W. \*5. VDE-AR-N 4105: 4,600VA / AS4777.2: 4,999VA. \*6. AS4777.2: 4,999VA / C10/11:5,000VA \*7. AS4777.2: 21.7A.  
 SUN2000-450W-P.  
 LG.

