

**SUN2000-(20KTL, 29.9KTL, 30KTL, 36KTL, 40KTL)-
M3**

01
2020-10-15

Copyright © Huawei Technologies Co., Ltd. 2020. All rights reserved.

No part of this document may be reproduced or transmitted in any form or by any means without prior written consent of Huawei Technologies Co., Ltd.

Trademarks and Permissions



HUAWEI and other Huawei trademarks are trademarks of Huawei Technologies Co., Ltd.

All other trademarks and trade names mentioned in this document are the property of their respective holders.

Huawei




Huawei Technologies Co., Ltd.


Address: Huawei Industrial Base
Bantian, Longgang
Shenzhen 518129
People's Republic of China

Website: <https://e.huawei.com>

SUN2000-20KTL-M3, SUN2000-29.9KTL-M3,
SUN2000-30KTL-M3, SUN2000-36KTL-M3 SUN2000-40KTL-M3 (SUN2000

SUN2000

 DANGER	
 WARNING	
 CAUTION	

NOTICE	
 NOTE	

01 (2020-10-15)

Solar Invest Groupe

	ii
1	1
1.1	1
1.2	2
1.3	3
1.4	4
1.5	4
1.6	5
1.7	6
2	7
2.1	7
2.2	9
2.3	10
2.4	12
2.4.1	12
2.4.2	13
3 SUN2000	15
4	16
4.1	16
4.2	17
4.3	18
4.4	SUN2000.....	21
4.5	22
4.5.1	23
4.5.2	24
4.6	SUN2000	25
5	27
5.1	27
5.2	28
5.3	30
5.4	32

5.5			34
5.6 ()	Smart Dongle		37
5.7			39
5.7.1			41
5.7.2 ()		RS485 SUN2000	42
5.7.3 ()		RS485	43
5.7.4 ()			44
5.7.5 ()			45
6			47
6.1			47
6.2			48
7			50
7.1	SUN2000	FusionSolar Smart PV	51
7.1.1 ()			51
7.1.2			52
7.1.3	SmartLogger		52
7.2	SUN2000		53
8			54
8.1			54
8.2			55
8.3			55
9			66
9.1	SUN2000		66
9.2	SUN2000		66
9.3	SUN2000		66
10			67
A			73
B			76
C			79
D			80
E			82
F			83
G			84
H AFCI			85
I Smart I-V Curve			88
J			89

1

1.1

Solar Invest Groupe

Huawei

-
-
-
-
-
-
-

- ()

 NOTE

-
-
-

1.3

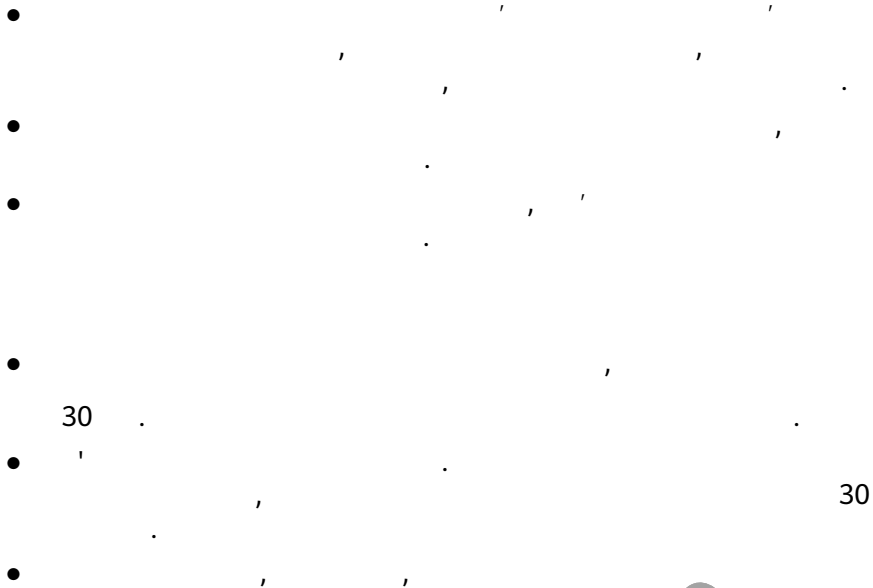
-
-
-
-

 DANGER

-
- -
 -
 -

 DANGER





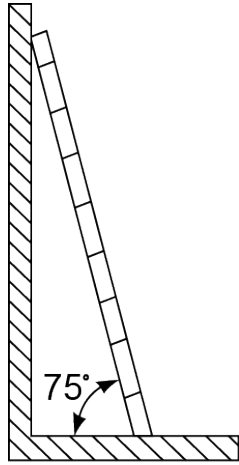
1.4

-
-
-

1.5



Solar Invest Groupe



PI02SC0008

Solar Invest Groupe

The diagram shows four categories of lifting capacity represented by icons of people and a forklift. The first category shows one person icon with the text "< 18 kg (< 40 lbs)". The second category shows two person icons with the text "18-32 kg (40-70 lbs)". The third category shows three person icons with the text "32-55 kg (70-121 lbs)". The fourth category shows four person icons with the text "> 55 kg (> 121 lbs)" and "OR" followed by a forklift icon. The text "NH01H00144" is located below the forklift icon.

1.6

1.7

 **DANGER**

-
- -
 -
 -
 -

Solar Invest Groupe

2

2.1

Φ

SUN2000 -

SUN2000:

- SUN2000-20KTL-M3
- SUN2000-29.9KTL-M3
- SUN2000-30KTL-M3
- SUN2000-36KTL-M3
- SUN2000-40KTL-M3

NOTE

SUN2000-20KTL-M3 220 ().

2-1 (SUN2000-30KTL-M3)

SUN2000-30KTL-M3

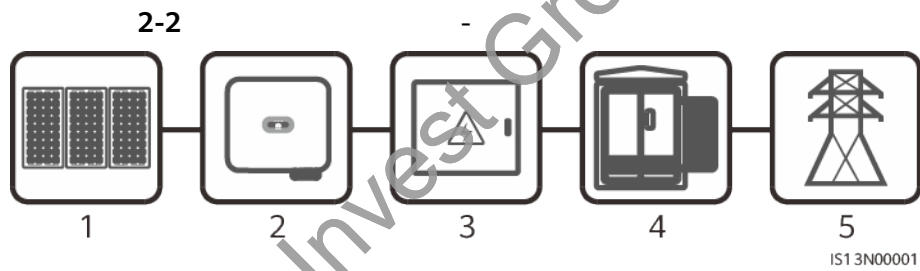


2-1

ID		
1		SUN2000:

ID		
2		<ul style="list-style-type: none"> • 20K: 20 kW • 29.9K: 29.9 kW • 30K: 30 kW • 36K: 36 kW • 40K: 40 kW
3		TL:
4		M3: 1100 V DC

SUN2000



(1) PV

(2) SUN2000

(3)

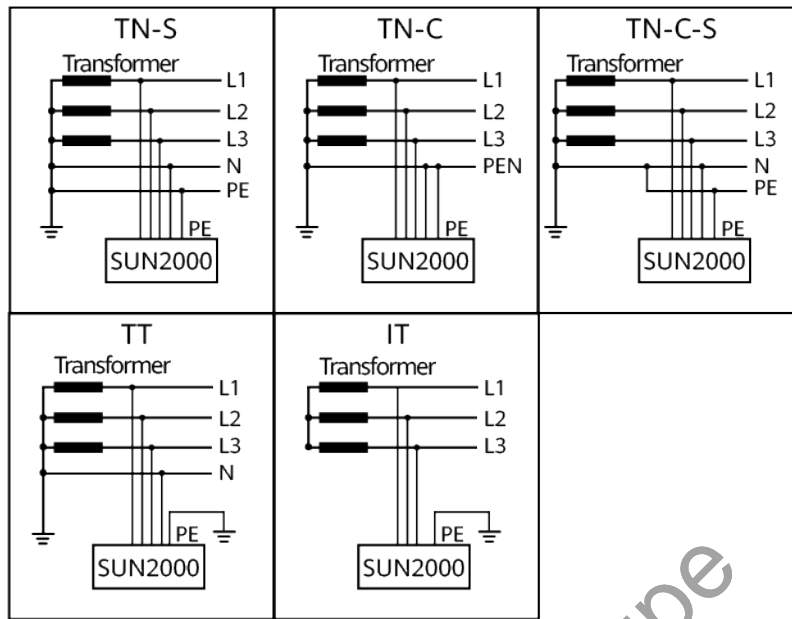
(4)

(5)

SUN2000

TN-S, TN-C, TN-C-S, TT IT.

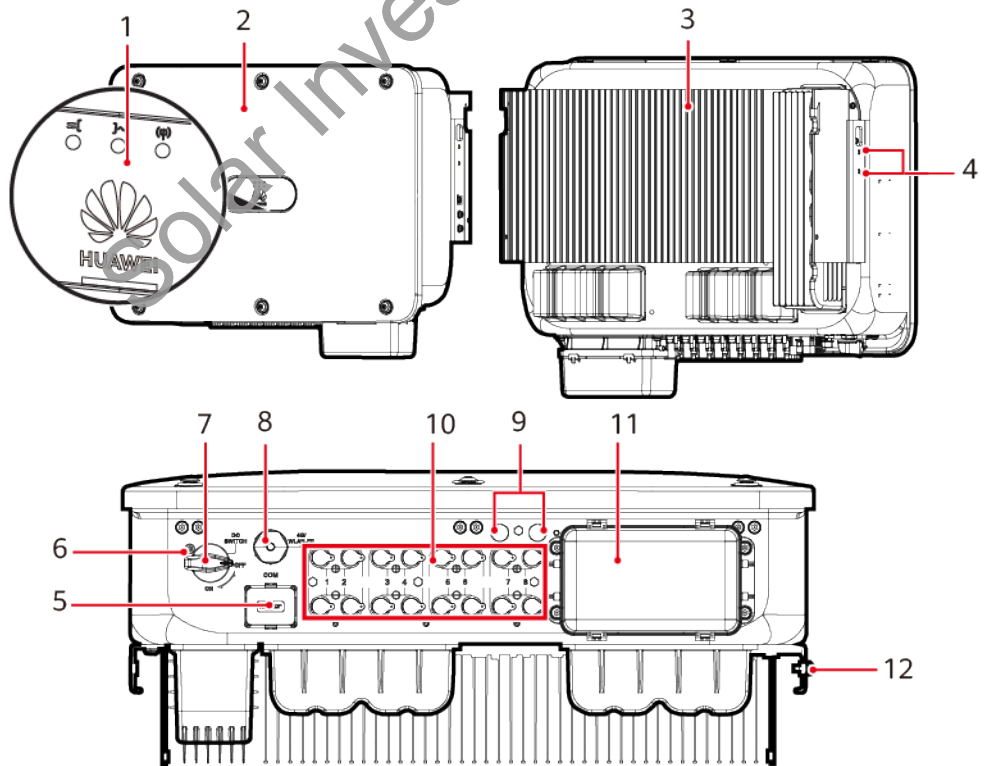
2-3



IS01S10001

2.2

2-4

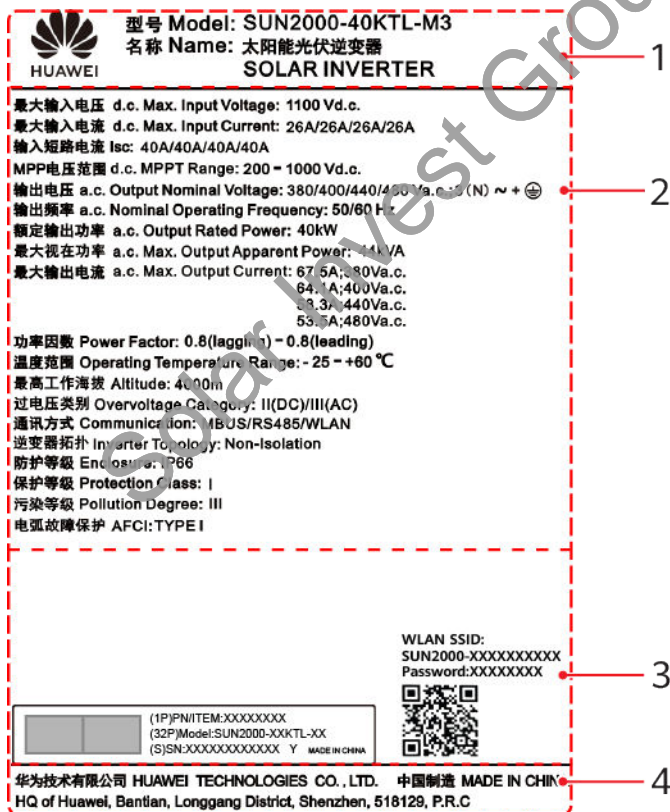


IS13W00001

(1)		(2) Φ	
(3)		(4)	
(5)	(COM)	(6)	
(7) DC	(DC SWITCH)	(8)	Smart Dongle (4G/WLAN-FE)
(9)		(10) DC	(PV1-PV8)
(11) AC		(12)	







2.3


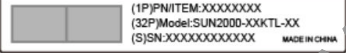

Figure 2-5 Nameplate



(1)	(2)
(3)	(4)

 NOTE

 <p>Danger: High Voltage! 高压危险!</p> <p>Start maintaining the INVERTER at least 5 minutes after the INVERTER disconnects from all external power supplies. 逆变器与外部所有电源断开后, 需要等待至少5分钟, 才可以进行维护。</p>		<p>SUN2000. SUN2000</p> <p>5</p>
 <p>Warning: High Temperature! 高温危险!</p> <p>Never touch the enclosure of an operating INVERTER. 逆变器工作时严禁触摸外壳。</p>		<p>SUN2000,</p>
 <p>Danger: Electrical Hazard! 有电危险!</p> <p>Only certified professionals are allowed to install and operate the INVERTER. 仅有资质的专业人员才可进行逆变器的安装和操作。</p> <p>High touch current, earth connection essential before connecting supply. 大接触电流! 接通电源前须先接地。</p>	<p style="text-align: center; opacity: 0.5; font-size: 48px; transform: rotate(-30deg);">Solar Invest Groupe</p>	<ul style="list-style-type: none"> • SUN2000 SUN2000. • SUN2000 SUN2000, SUN2000
 <p>CAUTION</p> <p>Read instructions carefully before performing any operation on the INVERTER. 对逆变器进行任何操作前, 请仔细阅读说明书!</p>		<p>SUN2000.</p>
		<p>PE-</p>
 <p>Do not disconnect under load! 禁止带负荷断开连接!</p>		

Symbol	Name	Description																																								
		SUN2000																																								
<table border="1"> <thead> <tr> <th colspan="3">运行指示 Running indication</th> </tr> <tr> <th>LED 1</th> <th>LED 2</th> <th>指示定义 Meaning</th> </tr> </thead> <tbody> <tr> <td>绿色常亮 Steady green</td> <td>绿色常亮 Steady green</td> <td>并网 Exporting power to the power grid</td> </tr> <tr> <td>绿色慢闪 Blinking green at long intervals</td> <td>灭 Off</td> <td>直流上电且交流未上电 DC on and AC off</td> </tr> <tr> <td>绿色慢闪 Blinking green at long intervals</td> <td>绿色慢闪 Blinking green at long intervals</td> <td>直流上电且交流上电 (未并网) DC on and AC on (no power to the power grid)</td> </tr> <tr> <td>灭 Off</td> <td>绿色慢闪 Blinking green at long intervals</td> <td>直流未上电且交流上电 DC off and AC on</td> </tr> <tr> <td>灭 Off</td> <td>灭 Off</td> <td>直流未上电且交流未上电 DC off and AC off</td> </tr> <tr> <td>红色快闪 Blinking red at short intervals</td> <td>N/A</td> <td>直流侧环境告警 DC environmental alarm</td> </tr> <tr> <td>N/A</td> <td>红色快闪 Blinking red at short intervals</td> <td>交流侧环境告警 AC environmental alarm</td> </tr> <tr> <td>红色常亮 Steady red</td> <td>红色常亮 Steady red</td> <td>故障 Fault</td> </tr> </tbody> </table> <table border="1"> <thead> <tr> <th colspan="2">通讯指示 Communication indication</th> </tr> <tr> <th>LED 3</th> <th>指示定义 Meaning</th> </tr> </thead> <tbody> <tr> <td>绿色快闪 Blinking green at short intervals</td> <td>通讯中 Communicating</td> </tr> <tr> <td>绿色慢闪 Blinking green at long intervals</td> <td>手机接入 Connected to the mobile phone</td> </tr> <tr> <td>灭 Off</td> <td>其他 Others</td> </tr> </tbody> </table> <p>快闪 (亮0.2s, 灭0.2s) Blinking at short intervals (on for 0.2s and then off for 0.2s) 慢闪 (亮1s, 灭1s) Blinking at long intervals (on for 1s and then off for 1s)</p>	运行指示 Running indication			LED 1	LED 2	指示定义 Meaning	绿色常亮 Steady green	绿色常亮 Steady green	并网 Exporting power to the power grid	绿色慢闪 Blinking green at long intervals	灭 Off	直流上电且交流未上电 DC on and AC off	绿色慢闪 Blinking green at long intervals	绿色慢闪 Blinking green at long intervals	直流上电且交流上电 (未并网) DC on and AC on (no power to the power grid)	灭 Off	绿色慢闪 Blinking green at long intervals	直流未上电且交流上电 DC off and AC on	灭 Off	灭 Off	直流未上电且交流未上电 DC off and AC off	红色快闪 Blinking red at short intervals	N/A	直流侧环境告警 DC environmental alarm	N/A	红色快闪 Blinking red at short intervals	交流侧环境告警 AC environmental alarm	红色常亮 Steady red	红色常亮 Steady red	故障 Fault	通讯指示 Communication indication		LED 3	指示定义 Meaning	绿色快闪 Blinking green at short intervals	通讯中 Communicating	绿色慢闪 Blinking green at long intervals	手机接入 Connected to the mobile phone	灭 Off	其他 Others		SUN2000.
运行指示 Running indication																																										
LED 1	LED 2	指示定义 Meaning																																								
绿色常亮 Steady green	绿色常亮 Steady green	并网 Exporting power to the power grid																																								
绿色慢闪 Blinking green at long intervals	灭 Off	直流上电且交流未上电 DC on and AC off																																								
绿色慢闪 Blinking green at long intervals	绿色慢闪 Blinking green at long intervals	直流上电且交流上电 (未并网) DC on and AC on (no power to the power grid)																																								
灭 Off	绿色慢闪 Blinking green at long intervals	直流未上电且交流上电 DC off and AC on																																								
灭 Off	灭 Off	直流未上电且交流未上电 DC off and AC off																																								
红色快闪 Blinking red at short intervals	N/A	直流侧环境告警 DC environmental alarm																																								
N/A	红色快闪 Blinking red at short intervals	交流侧环境告警 AC environmental alarm																																								
红色常亮 Steady red	红色常亮 Steady red	故障 Fault																																								
通讯指示 Communication indication																																										
LED 3	指示定义 Meaning																																									
绿色快闪 Blinking green at short intervals	通讯中 Communicating																																									
绿色慢闪 Blinking green at long intervals	手机接入 Connected to the mobile phone																																									
灭 Off	其他 Others																																									
	SUN2000																																									
<p>WLAN SSID: SUN2000-XXXXXXXXXX Password:XXXXXXXXXX</p> 	QR-SUN2000 WiFi	QR- Huawei SUN2000 WiFi.																																								

2.4

2.4.1

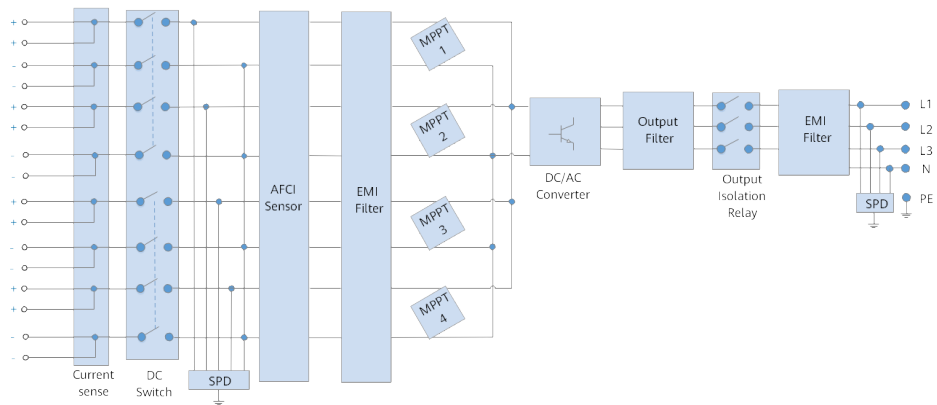
SUN2000

MPPT

MPPT

. SUN2000

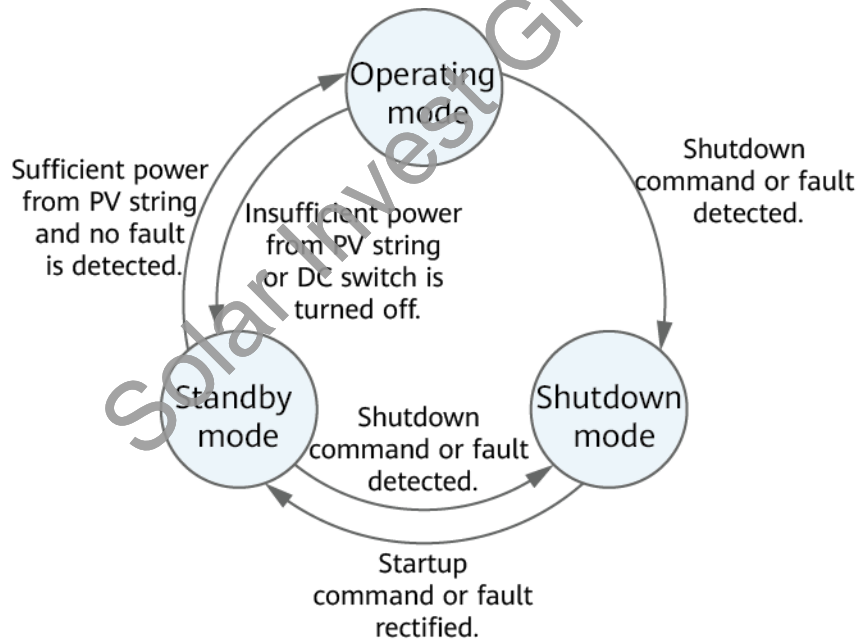
2-6



2.4.2

SUN2000

2-7



IS07500001

2-2

	<p>SUN2000</p> <ul style="list-style-type: none"> • SUN2000 • SUN2000
	<ul style="list-style-type: none"> • SUN2000 PV • SUN2000 PV • SUN2000 • SUN2000
	<ul style="list-style-type: none"> • SUN2000 • SUN2000

Solar Invest Groupe

3 SUN2000

- SUN2000
- SUN2000.
- 5% - 95% RH.
- SUN2000
- SUN2000
- SUN2000
- ()
- SUN2000

Solar Invest Groupe

4

4.1



NOTE

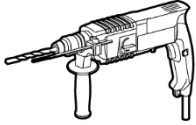
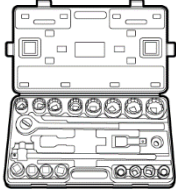
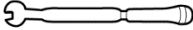
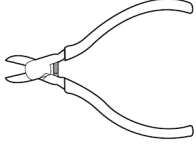
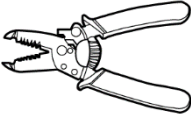
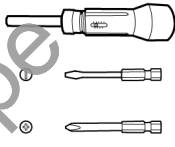

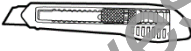







24

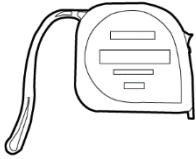

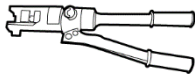
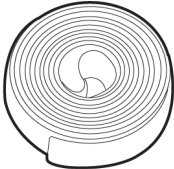
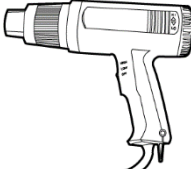






NOTE

Solar Invest Groupe

4.2

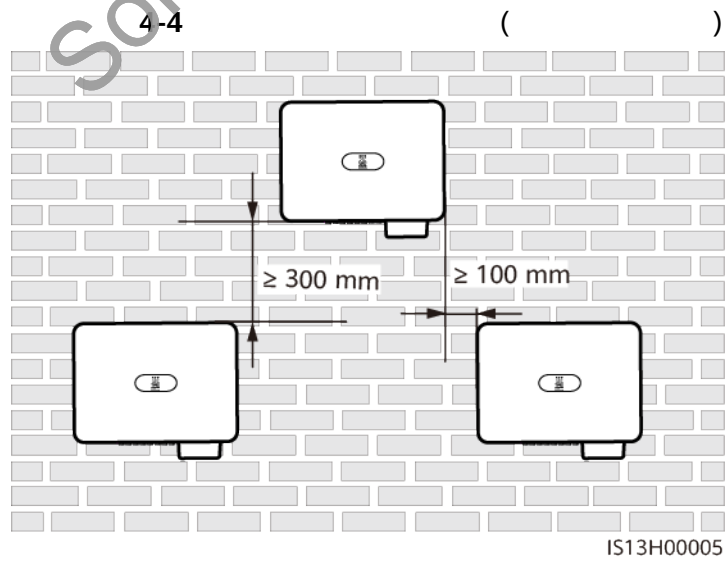
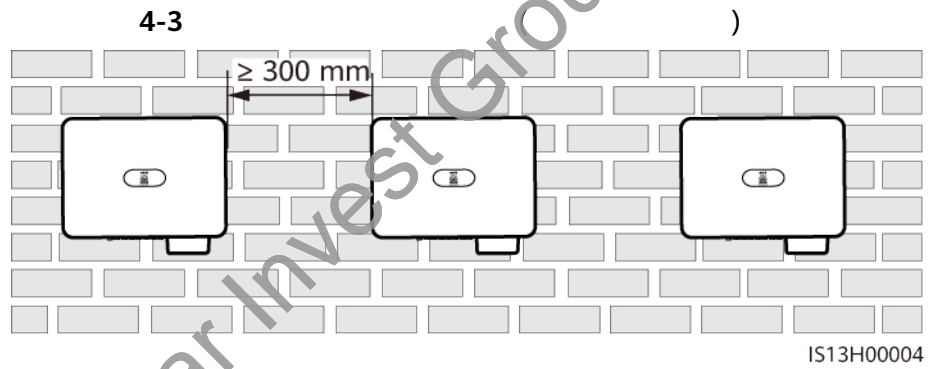
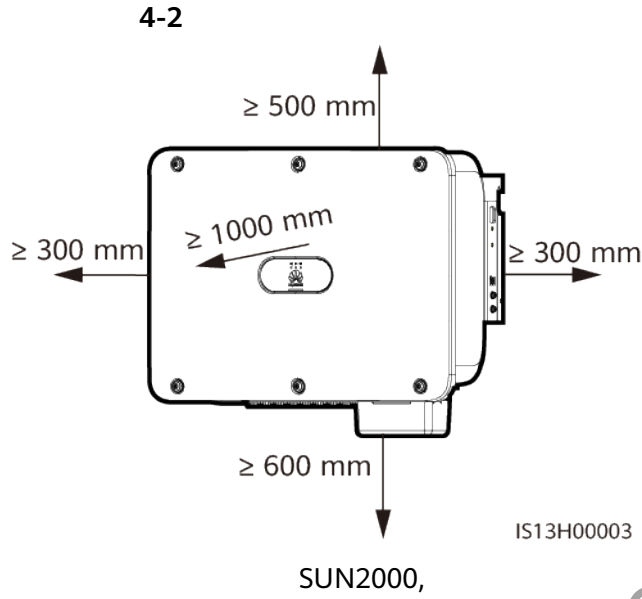
 <p>(Φ14 Φ16)</p>		
		
		
 <p>(PV-CZM-22100)</p>	 <p>(PV-MS-HZ : PV-MS)</p>	
	 <p>(≥ 1100)</p>	

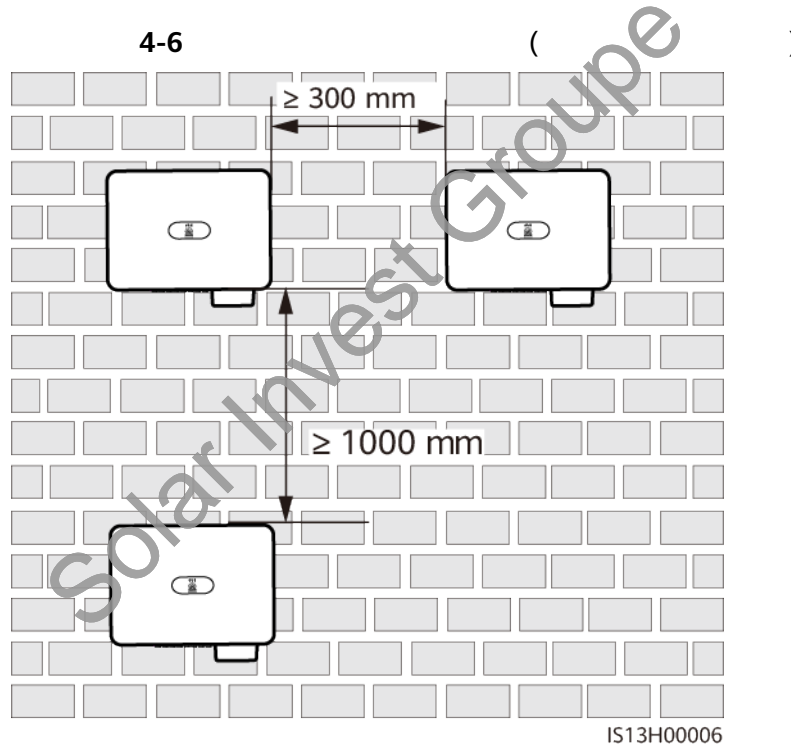
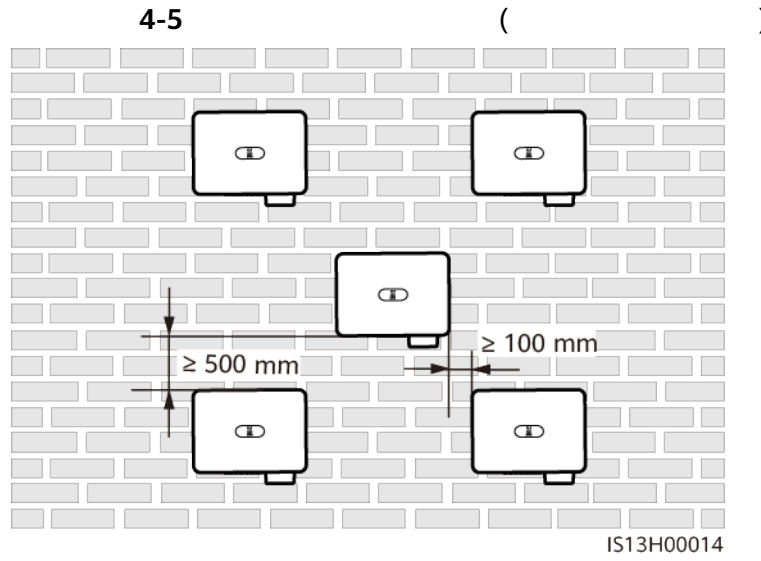
			
			-
()			
		-	-

Solar Invest Groupe

4.3

- SUN2000 IP66
 - SUN2000 ,
 - SUN2000
 - SUN2000 ,
 - SUN2000 SUN2000
 - SUN2000 SUN2000 500
- (, (,))





NOTE

SUN2000.

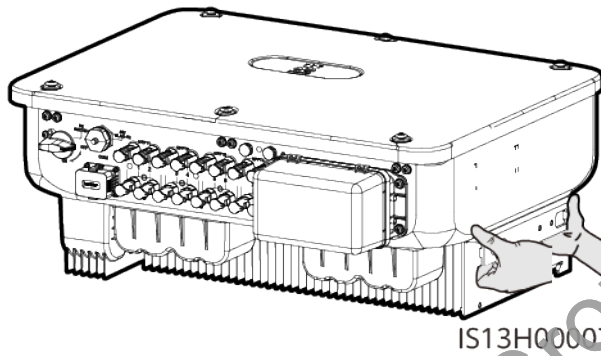
4.4 SUN2000

1 SUN2000

CAUTION

- SUN2000
- SUN2000.
- SUN2000 SUN2000

4-7 SUN2000



4.5

Solar Invest Groupe

Torx

4-8

Torx

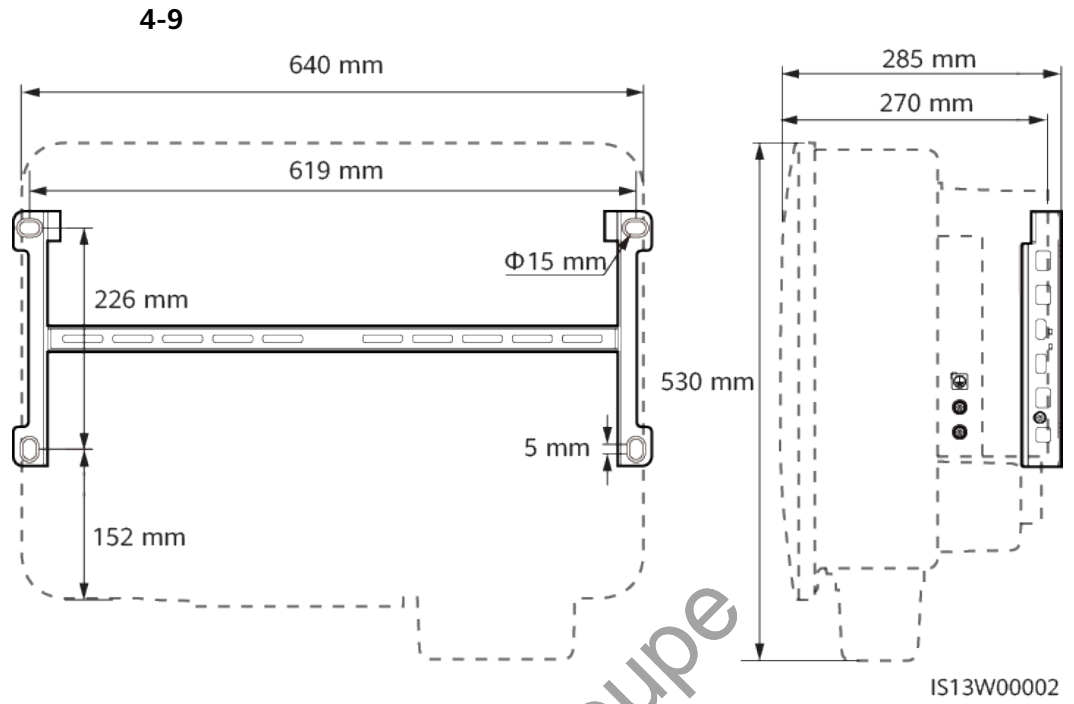


(1)

Torx

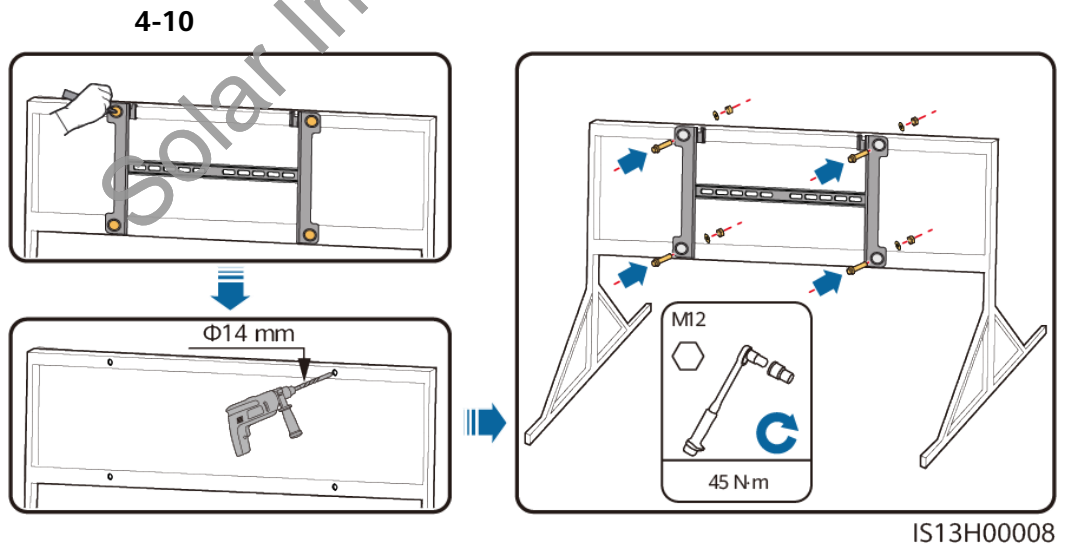
4-9

SUN2000.



4.5.1

1



NOTE

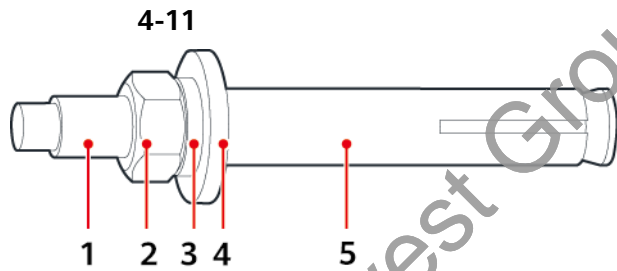
4.5.2

SUN2000,
M12x60

1

2

 **DANGER**



IS05W00018

(1)

(2)

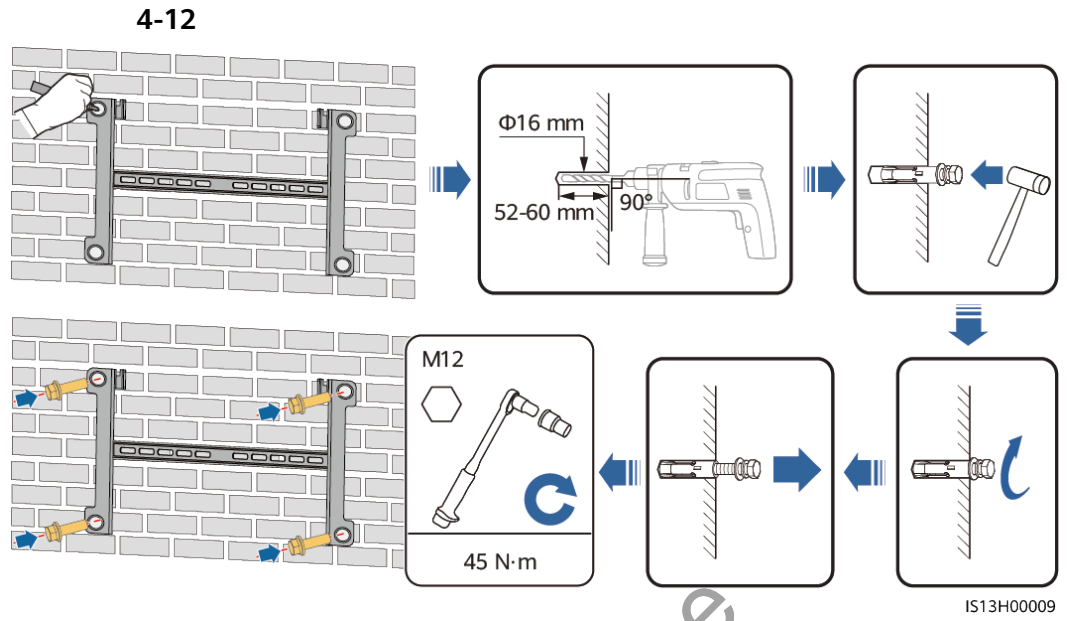
(3)

(4)

(5)

NOTICE

-
-
-



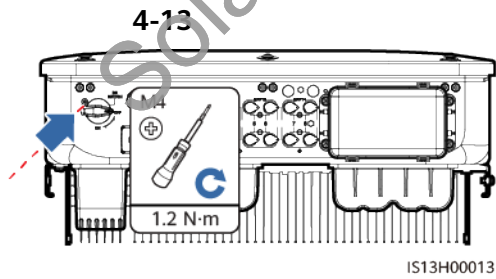
4.6 SUN2000

1 ()

NOTE

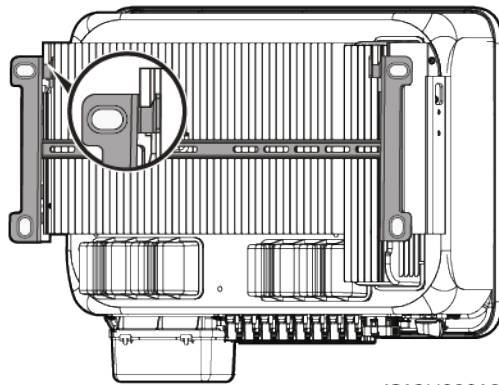
- Φ
-

SUN2000.



2 SUN2000

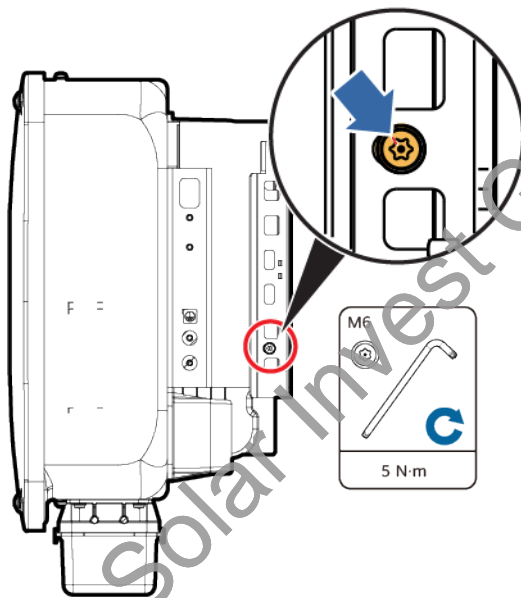
4-14 SUN2000



IS13H00010

3 SUN2000.

4-15



IS13H00011

NOTICE

5

5.1

 **DANGER**

SUN2000.

SUN2000

SUN2000

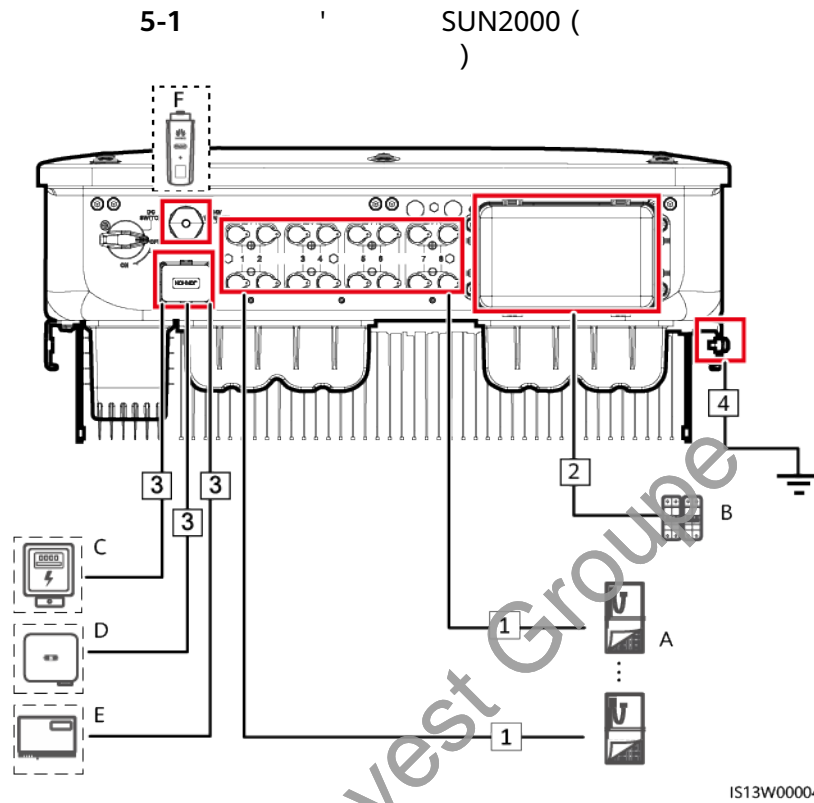
 **WARNING**

-
-
-
-

 **NOTE**

(-)

5.2



5-1

No.			
A	PV	<ul style="list-style-type: none"> • PV- • SUN2000 PV- 	
B		: , 500 : <ul style="list-style-type: none"> • 80 A (SUN2000-20KTL/29.9KTL/30KTL-M3) • 100 A (SUN2000-36KTL/40KTL- M3) 	
C		SUN2000	DTSU666-H.

No.			
		ABB-A44, Schneider-PM1200, Janitza-UMG604, Janitza-UMG103-CBM, Janitza-UMG104, GAVAZZI-EM340-DIN AV2 3 X S1 X, REAL ENERGY SYSTEM-PRISMA-310A, Algodue-UPM209, Mitsubishi-LMS-0441E, and WEG-MMW03-M22CH WEG-MMW03-M22CH, 9600. Mitsubishi-LMS-0441E, 9600.	
D	SUN2000		Huawei
E	SmartLogger	SmartLogger1000A, SmartLogger2000 SmartLogger3000.	Huawei
F	Smart Dongle		Huawei

 NOTE

SUN2000
 SUN2000-20KTL/29,9KTL/ 30KTL/36KTL/40KTL-M3,
 SUN2000-(3KTL-12KTL)-M0/M1, SUN2000 -20KTL)-M0/M2,
 SUN2000-50KTL/60KTL/65KTL-M0, SUN2000-(100KTL, 110KTL, 125KTL)
 SUN2000-29,9KTL/36KTL/42KTL0A-30KTL SUN300.

NOTICE

5-2

No.				
1		(: PV1-F)	• mm ² : 4-6 • mm : 4.5-7.8	
2		/	• mm ² : 16-50 35-50 mm ² : 16-38 mm	
3	()	(: DJYP2VP2-2x2x0,75)	• mm ² : 0.2- 1 • : 4-11 mm	
4	PE		16 mm ² ≥	
5 x 50 2			5 x 35 2	

5.3

PE-

DANGER

- PE-
- PE.

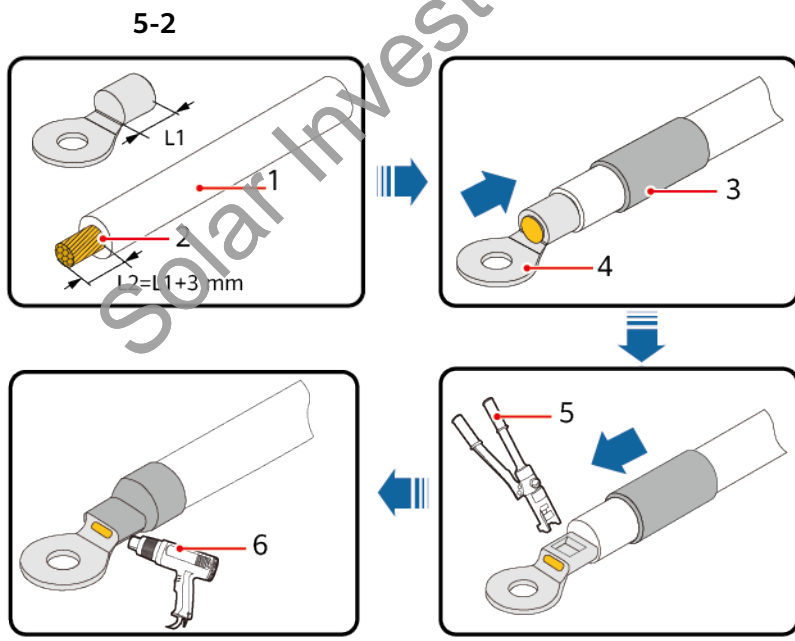
NOTE

- PE- PE, PE
- PE-

1 OT.

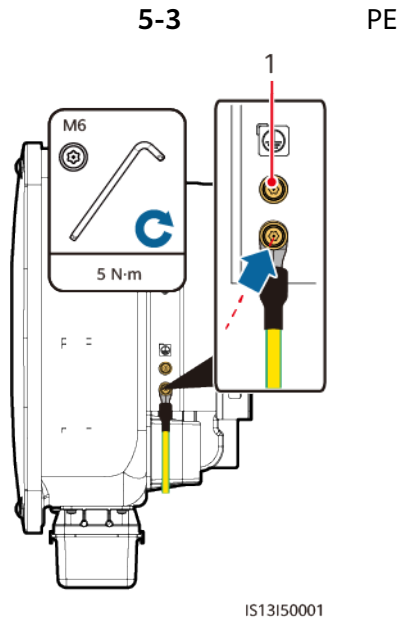
NOTICE

-
- , OT,
- OT.
-
-



- | | | |
|-----|-----|-----|
| (1) | (2) | (3) |
| (4) | (5) | (6) |

2 PE.



(1)

5.4

SUN2000, SUN2000

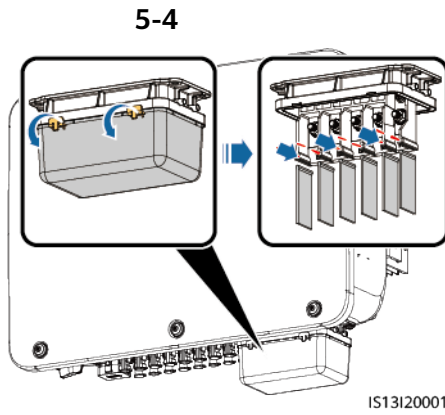
WARNING

SUN2000

NOTICE

- , , 100
- PE- , PE,
-
- M8 OT

1



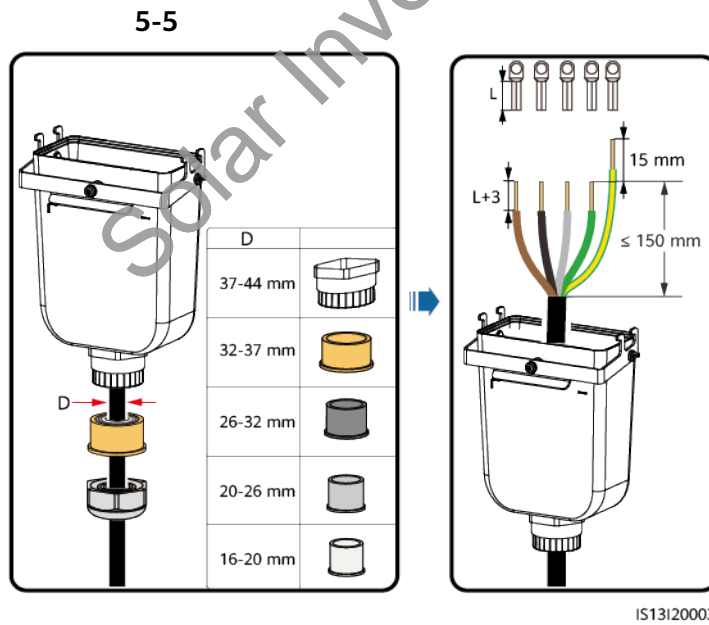
2

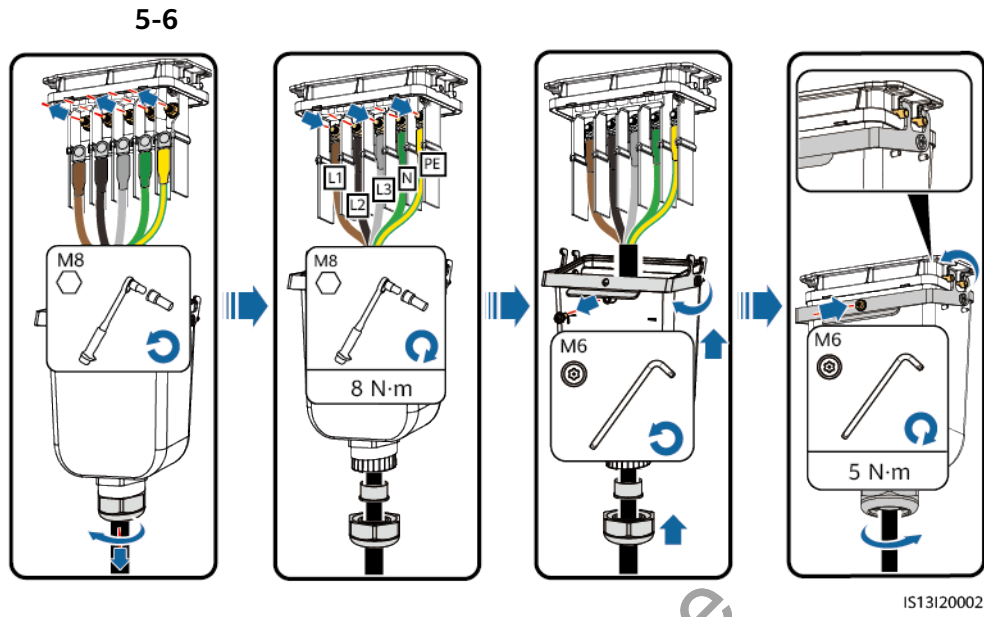
NOTE

-
-
-

PE-

15





5.5

⚠ DANGER

- SUN2000 (60)
- SUN2000
- SUN2000 PV-
IP SUN2000.

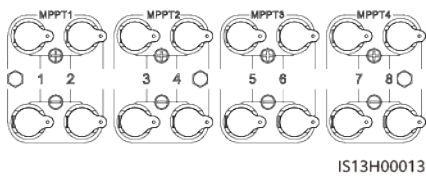
WARNING

- Φ
- Sun2000-29.9 / 30 / 36 / 40 - 3
- 1100
- SUN2000-20KTL-M3
- 800
- SUN2000.
- 0,5
- SUN2000.

NOTICE

- SUN2000
- PV SUN2000,
- SUN2000,
- SUN2000.

5-7



1. MPPT MPPT1 MPPT4.
2. MPPT.

PV		PV	
1	PV1	2	PV1 and PV7
3	PV1, PV3 and PV7	4	PV1, PV3, PV5 and PV7
5	PV1, PV2, PV3, PV5 and PV7	6	PV1, PV2, PV3, PV5, PV7 and PV8
7	PV1, PV2, PV3, PV4, PV5, PV7 and PV8	8	PV1, PV2, PV3, PV4, PV5, PV6, PV7 and PV8

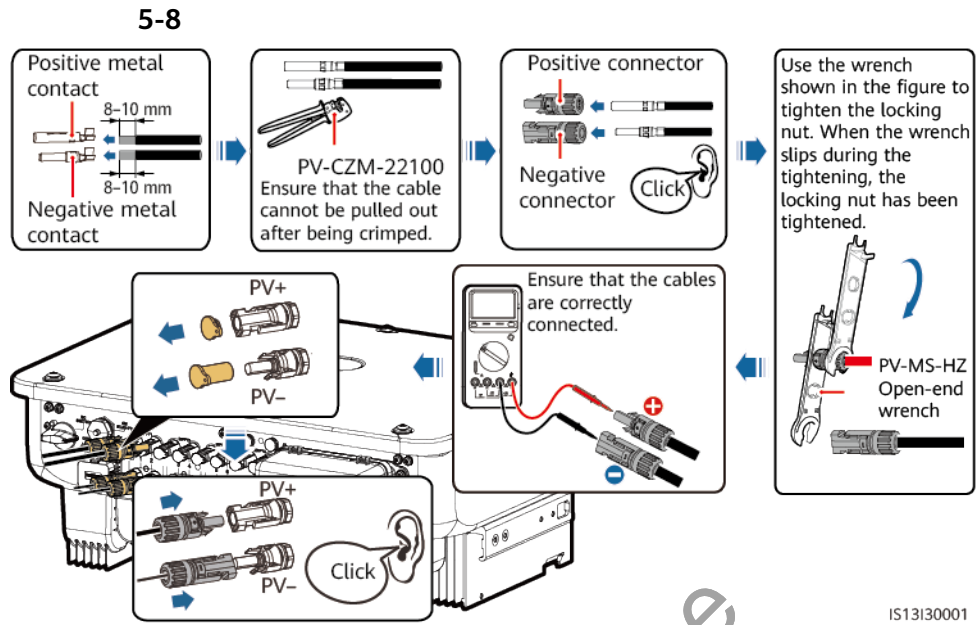
1

 CAUTION

Staubli MC4
SUN2000.

NOTICE

- (Staubli) PV-CZM-22100
- PV-MS-HZ (Staubli). PV-MS (Staubli)
-
-
-

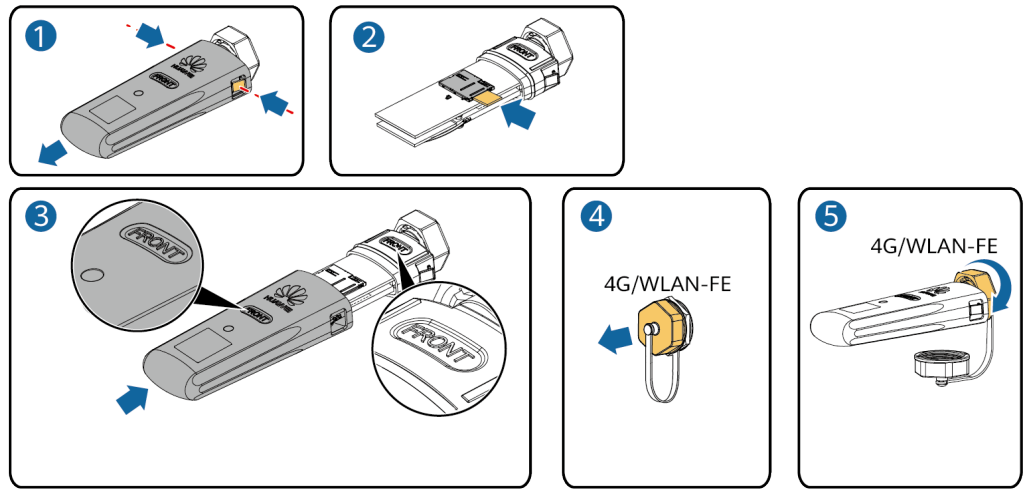


5.6 () Smart Dongle

NOTE

- Smart Dongle WLAN-FE
- Smart Dongle Smart Dongle WLAN-FE
SIM- Smart Dongle. SIM- — SIM-
China Mobile. China Mobile.
- Smart Dongle SIM- SIM- SIM-
(: 25 x 15) 64 SIM-
- SIM-
- SIM- SIM-
- SIM- SIM-
- Smart Dongle
- 4G Smart Dongle

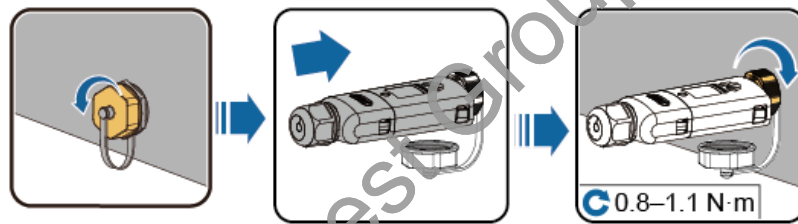
5-9 4G Smart Dongle



IS10H00016

- WLAN-FE Smart Dongle (' WLAN)

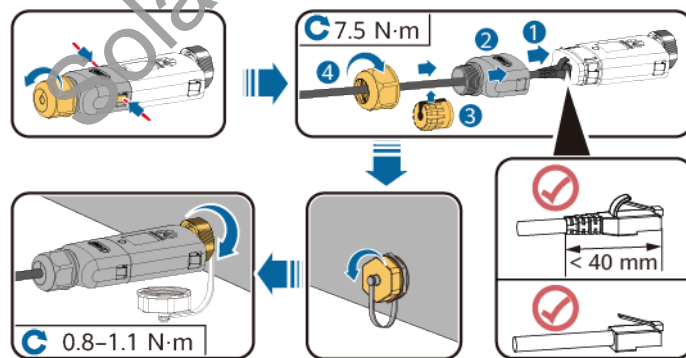
5-10 Smart Dongle WLAN-FE (' WLAN)



ILO4H00005

- WLAN-FE Smart Dongle (' FE)

5-11 WLAN-FE Smart Dongle (' FE)



ILO4H00004

NOTICE

Smart Dongle

NOTE

- WLAN-FE SDongleA-05, QR- Smart Dongle SDongleA-05 (WLAN-FE).



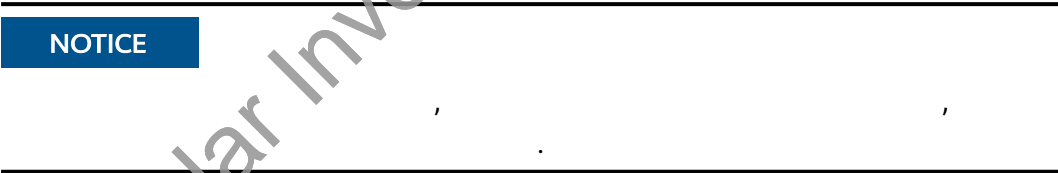
- SDongleA-03, QR- 4G Smart Dongle SDongleA-03 (4G).



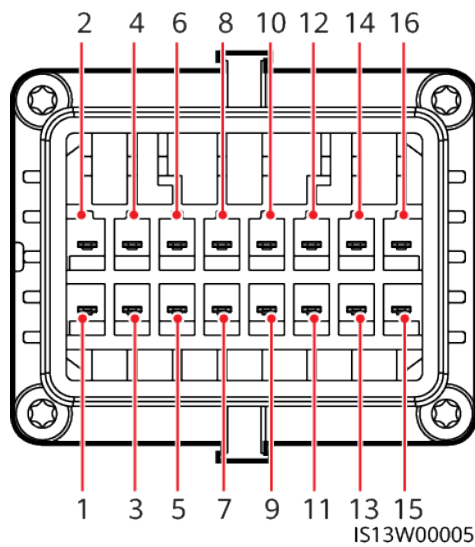
Smart Dongle.

5.7

COM



COM



		Φ				Φ	
1	485A1_1	RS485	SUN2000	2	485A1_2	RS485	SUN2000
		+					
3	485B1_1	RS485	RS485 SmartLogger	4	485B1_2	RS485	RS485 SmartLogger
		-					
5	PE		-	6	PE		-
7	485A2	RS485	RS485	8	DIN1		-
		+					
9	485B2	RS485		10	DIN2		
		-					
11	-	-	-	12	DIN3		
13	GND	GND	-	14	DIN4		
15	DIN5		NS,	16	GND		

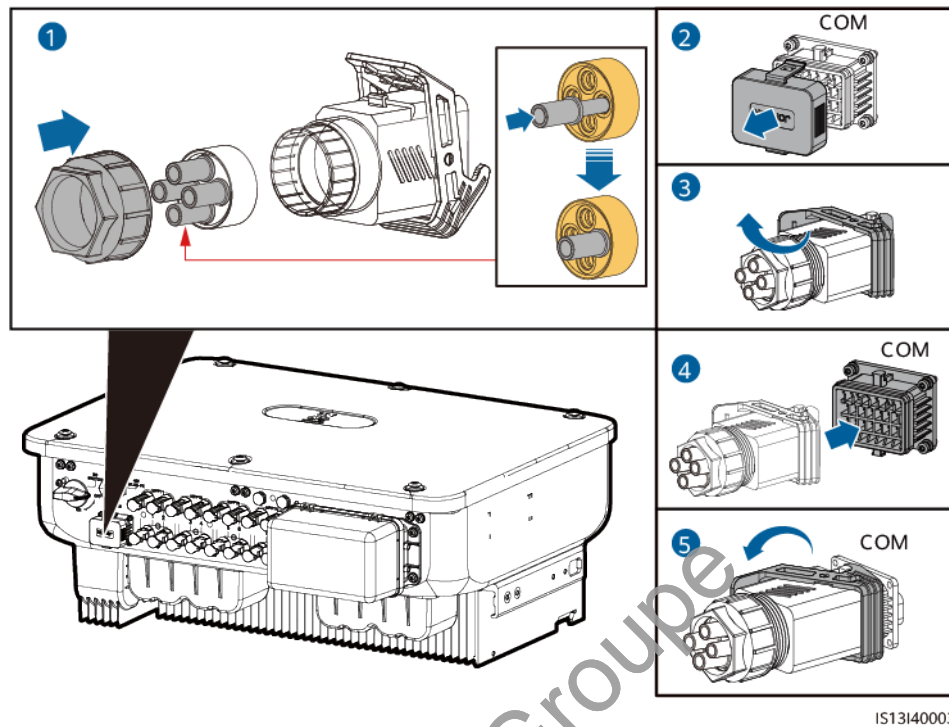
NOTICE

SUN2000

SUN2000,

SUN2000.

5-13



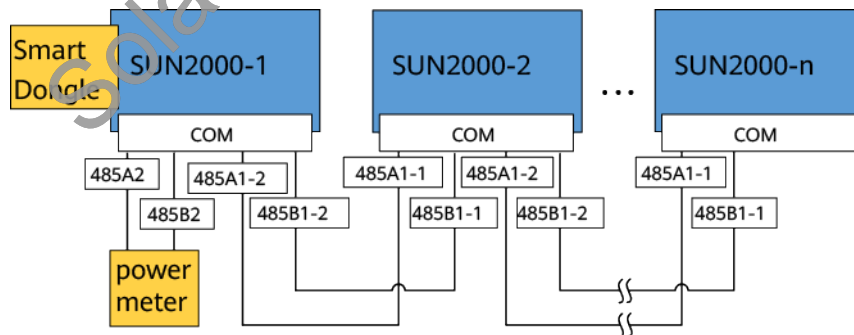
IS13140003

5.7.1

RS485

- Smart Dongle

5-14 Smart Dongle



NOTE

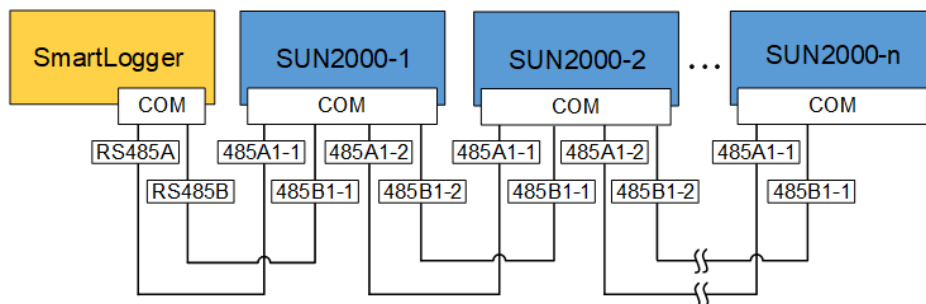
SUN2000

Smart Dongle,

SmartLogger.

- SmartLogger

5-15 SmartLogger



NOTE

- SUN2000 Smart Dongle. SmartLogger,
- RS485, 30. SUN2000,

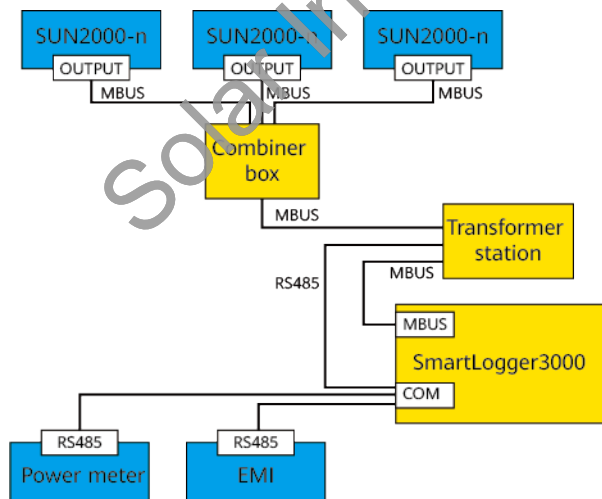
MBUS

MBUS -

NOTE

MBUS SUN2000

5-16 MBUS

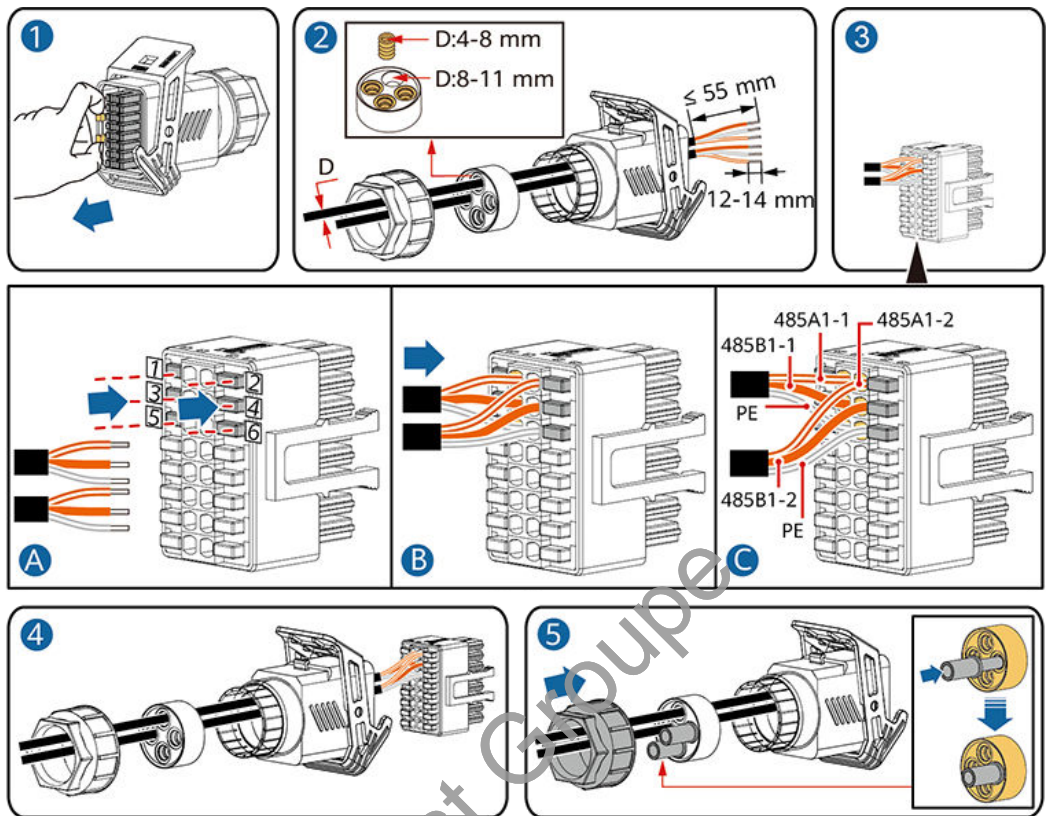


IL04W00014

5.7.2 ()
SUN2000

RS485

5-17

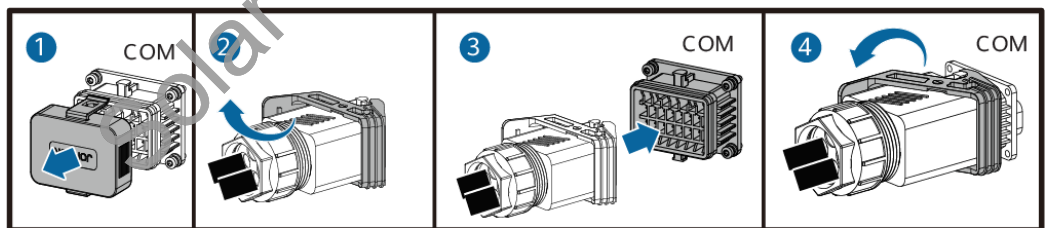


IS10I20006

2

COM-

5-18



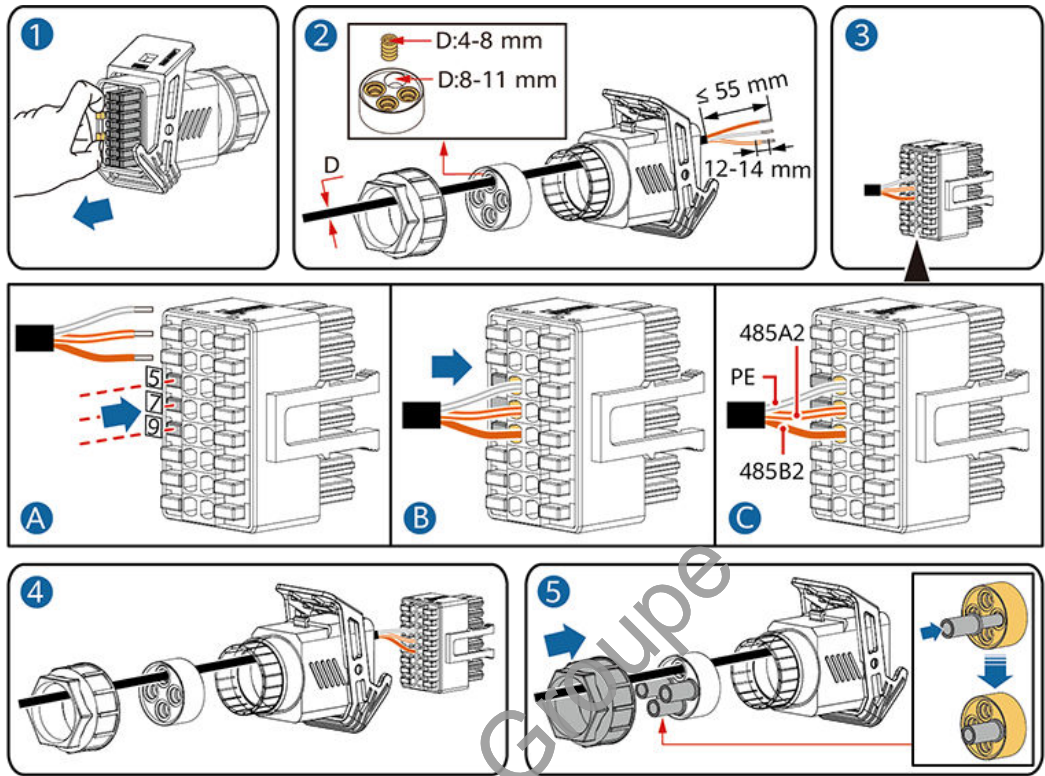
IS13I40001

5.7.3 ()

RS485

1

5-19

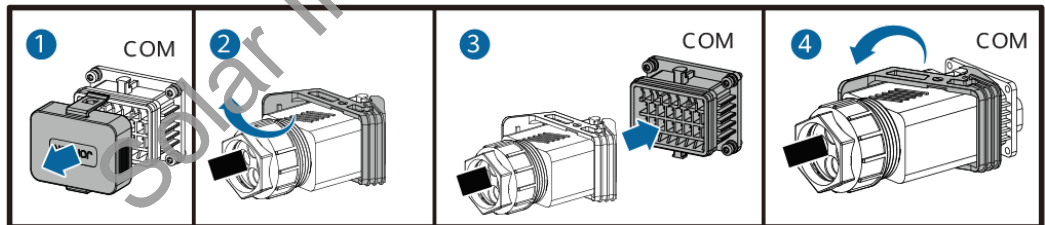


IS10I20008

2

COM-

5-20

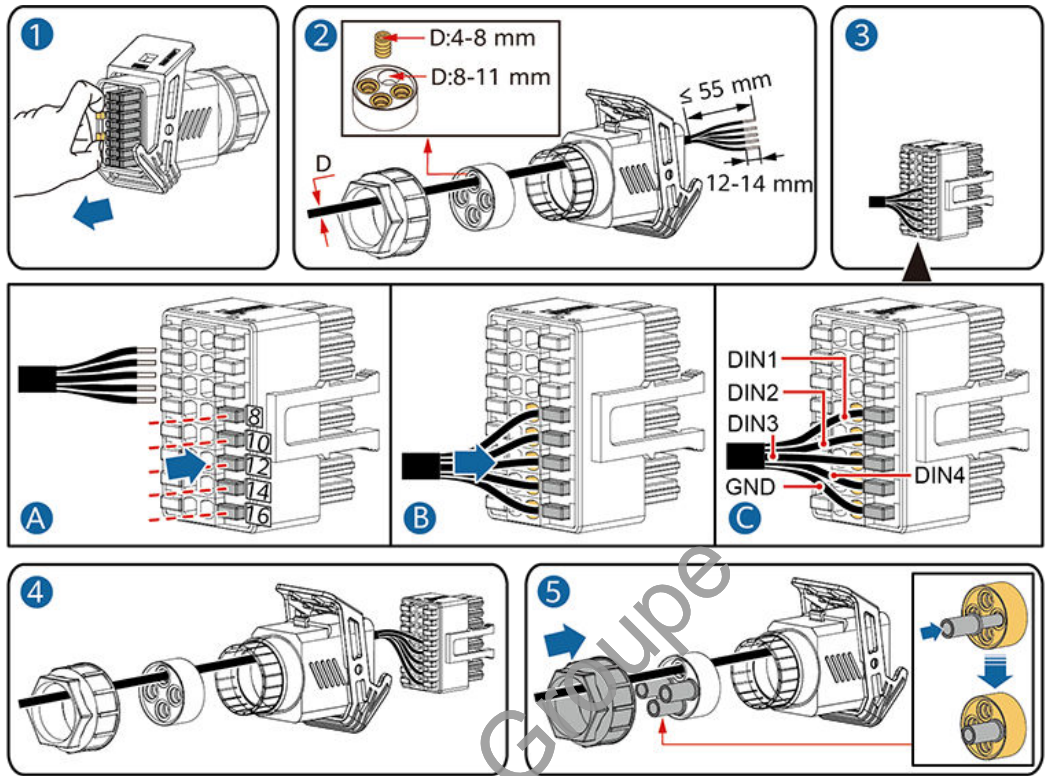


IS13I40001

5.7.4 ()

1

5-21

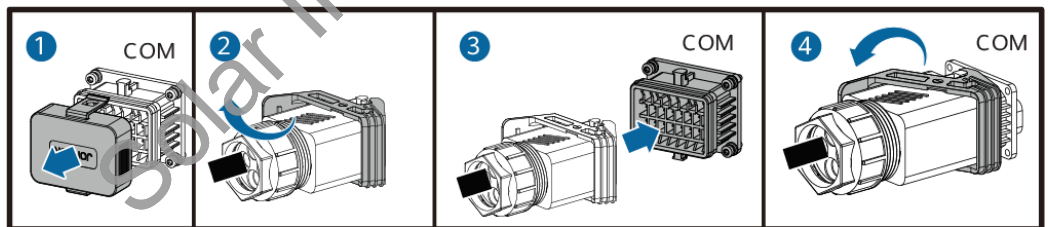


IS10I20010

2

COM-

5-22

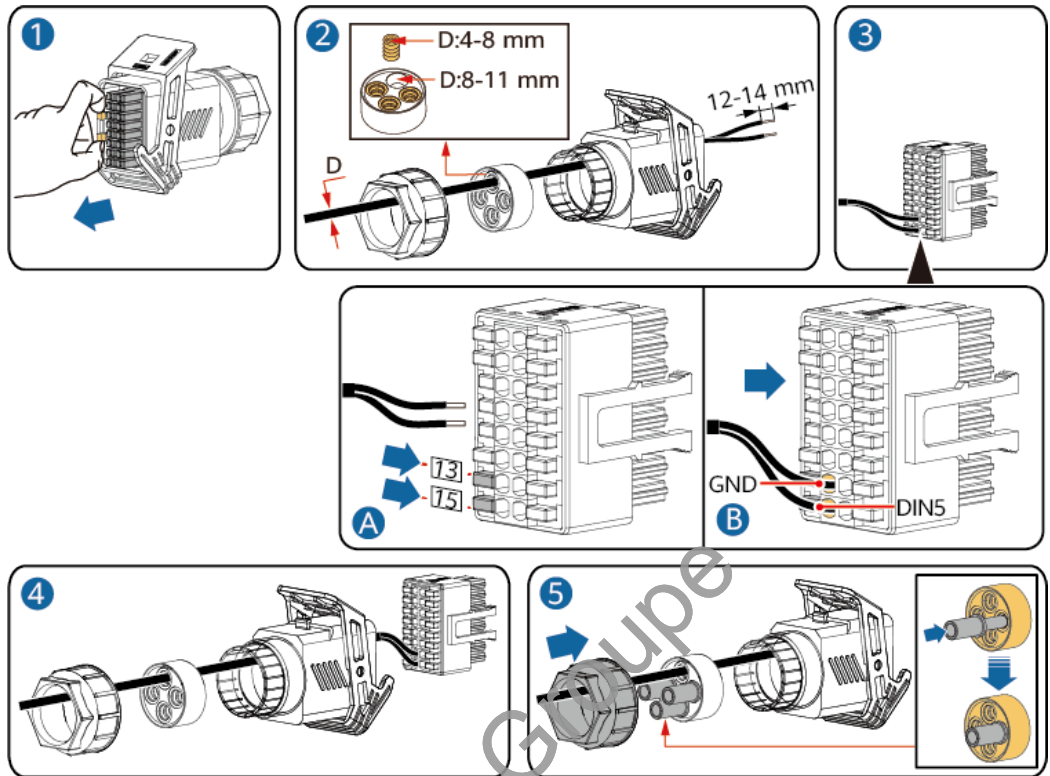


IS13I40001

5.7.5 ()

1

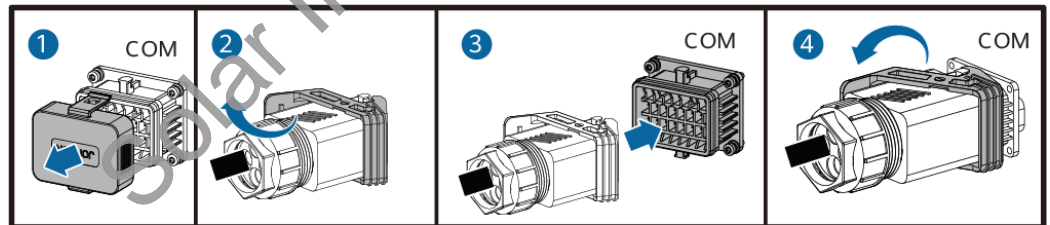
5-23



2

COM-

5-24



IS13140001

6

6.1

6-1

No.		
1	SUN2000	SUN2000
2	Smart Dongle	Smart Dongle
3		
4		
5		PE
6		SUN2000,
7		
8		
9		

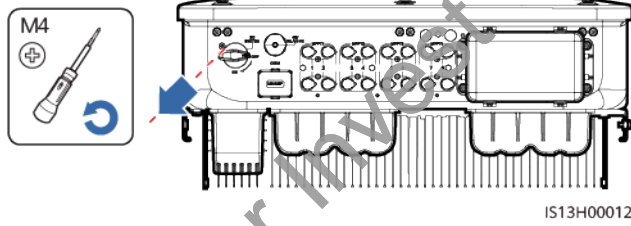
6.2

NOTICE

- SUN2000
- SUN2000, SUN2000
- SUN2000

- 1 SUN2000
- 2 ()

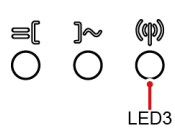
6-1



- 3 SUN2000.
- 4 SUN2000.

6-2

	LED1	LED2	-
			SUN2000
	(1)		DC

	(1)	(1)	SUN2000
			DC
	0,2 (0,2)	-	
	-	0,2 (0,2)	
 <p>LED3</p>	LED3		-
	0,2 (0,2)		
	1 (1)		
:	LED1, LED2 LED3		, SUN2000

7

 NOTE

- SUN2000 FusionSolar Smart PV, FusionSolar. SUN2000 SUN2000.
- FusionSolar SUN2000 Huawei (<http://appstore.huawei.com>),

OR-



FusionSolar App (Android)



SUN2000 App (Android)

NOTICE

- Android. iOS
-
- WLAN
-
- SUN2000.

7.1 SUN2000 FusionSolar Smart PV

7.1.1 ()

NOTE

-
-
-

FusionSolar.

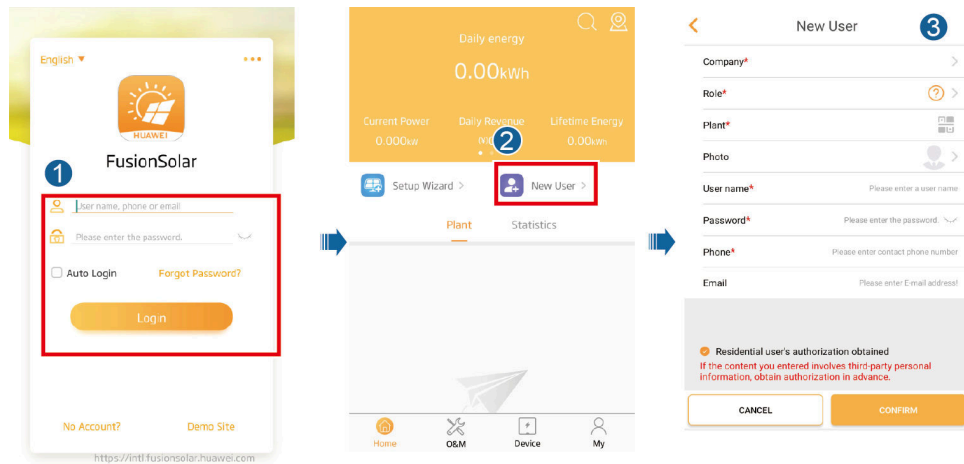
7-1



NOTICE

FusionSolar <>

7-2



7.1.2

7-3



NOTE

FusionSolar.

QR-



7.1.3

SmartLogger

Huawei Hosting Cloud (+ SmartLogger3000).

QR-



7.2

SUN2000

1 SUN2000, QR- SUN2000

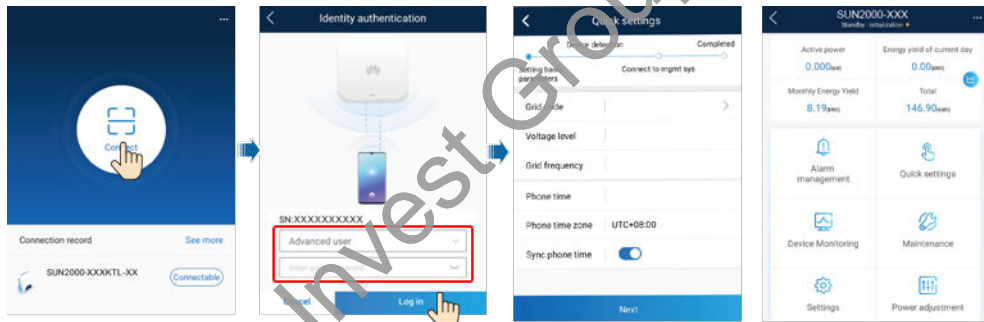
WLAN,

2

3

SUN2000.

7-4



8

8.1

 **WARNING**

SUN2000

SUN2000

1

2

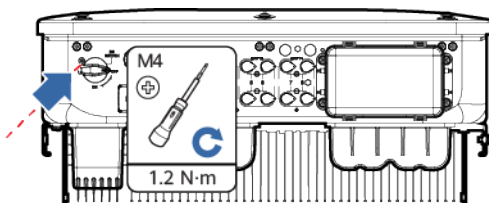
SUN2000

3

SUN2000.

4 ()

8-1



IS13H00013

5

SUN2000,

8.2

SUN2000

 CAUTION

8-1

		6-12
	<ul style="list-style-type: none"> • SUN2000 • SUN2000 • SUN2000 	6
	<ul style="list-style-type: none"> • 	6 6 12
		6 6 12

8.3

ID				
2011			1-8: PV 1-8	0,5
2012			1-8: PV 1-8	1. 0,5 2. 3. PV-
2021	AFCI		= 1, 2 AFCI	5 Huawei.
2031	Φ PE		PE = 1 PE.	PE,
2032			= 1 • •	• •

ID				
2037			= 1	<ul style="list-style-type: none"> • SmartLogger NMS
2038			= 1	<ul style="list-style-type: none"> •
2039			= 1	<ul style="list-style-type: none"> • • Huawei.

ID				
2062			= 1	<ul style="list-style-type: none"> • PE • PE- • SmartLogger • NMS
2063			= 1	<ul style="list-style-type: none"> • Huawei.
2064			1-15 =	<ul style="list-style-type: none"> • Huawei. • 5 • = 1: • 1
2065			1-6 =	<ul style="list-style-type: none"> • Huawei.

ID				
2066			= 1 • •	• •
2067			= 1	• • RS485 RS485.
61440			= 1 • Φ •	5 Huawei.
2072			= 1	• • •

ID				
2085	PID		= 1, 2 • •	= 1 • 1. , (), 2. Huawei. • 1. 2. Huawei. = 2
2090			= 1 DI. • DI	1. , DI. 2. DI DI. ,



ID				
2091			<p style="text-align: right;">= 1</p> <ul style="list-style-type: none"> • DI. • DI 	<p>1. , DI.</p> <p>2. DI</p> <p>DI.</p> <p>, ,</p> <p>.</p>

 NOTE

Huawei,

Solar Invest Groupe

9

9.1 SUN2000

NOTICE

SUN2000,

SUN2000,

1. SUN2000, RS485, PGND.
2. SUN2000
- 3.

9.2 SUN2000

- SUN2000
- SUN2000

9.3 SUN2000

SUN2000

10

	SUN2000-20KTL-M3	SUN2000-29.9KTL-M3	SUN2000-30KTL-M3	SUN2000-36KTL-M3	SUN2000-40KTL-M3
	97.6%/220 V AC	98.65%/400 V AC 98.7%/480 V AC	98.65%/400 V AC 98.7%/480 V AC	98.65%/400 V AC 98.7%/480 V AC	98.65%/400 V AC 98.7%/480 V AC
	97.2%/220 V AC	98.4%/400 V AC 98.45%/480 V AC	98.4%/400 V AC 98.45%/480 V AC	98.4%/400 V AC 98.5%/480 V AC	98.4%/400 V AC 98.5%/480 V AC

	SUN2000-20KTL-M3	SUN2000-29.9KTL-M3	SUN2000-30KTL-M3	SUN2000-36KTL-M3	SUN2000-40KTL-M3
	30,000 W	44,850 W	45,000 W	54,000 W	60,000 W
a	800 V	1100 V			
(MPPT)	26 A				

	SUN2000-20KTL-M3	SUN2000-29.9KTL-M3	SUN2000-30KTL-M3	SUN2000-36KTL-M3	SUN2000-40KTL-M3
(MPPT)	40 A				
	200 V				
MPP	200-750 V	200-1000 V			
MPPT	300-550 V	500-800 V/400 V AC 625-850 V/480 V AC	500-800 V DC/(380 V AC, 400 V AC) 625-850 V DC/400 V AC 625-850 V DC/480 V AC	500-800 V DC/(380 V AC, 400 V AC) 625-850 V DC/400 V AC 625-850 V DC/480 V AC	500-800 V DC/(380 V AC, 400 V AC) 625-850 V DC/400 V AC 625-850 V DC/480 V AC
	360 V	600 V (400 V AC) 720 V (480 V AC)	600 V (380 V AC, 400 V AC) 720 V (480 V AC)	600 V (380 V AC, 400 V AC) 650 V (440 V AC), 720 V (480 V AC)	600 V (380 V AC, 400 V AC) 650 V (440 V AC) 720 V (480 V AC)
	8				
MPPT	4				
:	- SUN2000. , SUN2000 .				

	SUN2000-20KTL-M3	SUN2000-29.9KTL-M3	SUN2000-30KTL-M3	SUN2000-36KTL-M3	SUN2000-40KTL-M3
	20,000 W	29,900 W	30,000 W	36,000 W	40,000 W
	22,000 VA	29,900 VA	33,000 VA ^a	39,600 VA	44,000 VA
(cosφ = 1)	22,000 W	29,900 W	33,000 W	39,600 W	44,000 W
	127 V AC (220 V AC), 3W/N +PE 230 V AC (400 V AC), 3W/N +PE	230 V AC (400 V AC), 3W/N +PE 277 V AC (480 V AC), 3W +PE	220 V AC (380 V AC), 3W/N +PE 230 V AC (400 V AC), 3W/N +PE 254 V AC (440 V AC), 3W/N +PE 277 V AC (480 V AC), 3W +PE	220 V AC (380 V AC), 3W/N +PE 230 V AC (400 V AC), 3W/N +PE 254 V AC (440 V AC), 3W +PE 277 V AC (480 V AC), 3W +PE	220 V AC (380 V AC), 3W/N +PE 230 V AC (400 V AC), 3W/N +PE 254 V AC (440 V AC), 3W +PE 277 V AC (480 V AC), 3W +PE
	52.5 A (220 V AC) 28.9 A (400 V AC)	43.2 A (400 V AC) 36.0 A (480 V AC)	45.6 A (380 V AC) 43.3 A (400 V AC) 39.4 A (440 V AC) 36.1 A (480 V AC)	54.7 A (380 V AC) 52.0 A (400 V AC) 47.3 A (440 V AC) 43.3 A (480 V AC)	60.8 A (380 V AC) 57.8 A (400 V AC) 52.5 A (440 V AC) 48.1 A (480 V AC)

	SUN2000-20KTL-M3	SUN2000-29.9KTL-M3	SUN2000-30KTL-M3	SUN2000-36KTL-M3	SUN2000-40KTL-M3
	58.0 A (220 V AC) 31.9 A (400 V AC)	43.2 A (400 V AC) 36.0 A (480 V AC)	50.4 A (380 V AC) 47.9 A (400 V AC) 43.5 A (440 V AC) 39.9 A (480 V AC)	61.1 A (380 V AC) 58.0 A (400 V AC) 52.8 A (440 V AC) (Mexico) 48.4 A (480 V AC)	67.2 A (380 V AC) 63.8 A (400 V AC) 58.0 A (440 V AC) (Mexico) 53.2 A (480 V AC)
	50 Hz/60 Hz				
	0.8 leading-0.8 lagging				
DCI	DC < 0.5%				
(THD) AC THDi	< 3% VDE4105.				
000	:	TOR	SUN2000-30KTL-M3 VDE-AR-N-4105,	30 C10/11	

	SUN2000-20KTL-M3	SUN2000-29.9KTL-M3	SUN2000-30KTL-M3	SUN2000-36KTL-M3	SUN2000-40KTL-M3
	PV II/AC III				

	SUN2000-20KTL-M3	SUN2000-29.9KTL-M3	SUN2000-30KTL-M3	SUN2000-36KTL-M3	SUN2000-40KTL-M3
	II				
	II				
(RCMU)					

	SUN2000-20KTL-M3	SUN2000-29.9KTL-M3	SUN2000-30KTL-M3	SUN2000-36KTL-M3	SUN2000-40KTL-M3
RS485					
WLAN					
AC MBUS					
DC MBUS					
AFCI					
PID					

	SUN2000-20KTL-M3	SUN2000-29.9KTL-M3	SUN2000-30KTL-M3	SUN2000-36KTL-M3	SUN2000-40KTL-M3
(W x H x D)	640 mm x 530 mm x 270 mm				
	43 kg				
	-25°C to +60°C (derated when the temperature is above +45°C)				
	0%–100%				
	0–4000 m (3000)				
	-40°C to +70°C				
IP	IP66				

Standards Compliance

	SUN2000-20KTL-M3	SUN2000-29.9KTL-M3	SUN2000-30KTL-M3	SUN2000-36KTL-M3	SUN2000-40KTL-M3
	EN/IEC 62109-1, EN/IEC 62109-2, NB/T 32004-2013				

A

 NOTE

No.		
1	VDE-AR-N-4105	()
2	NB/T 32004	Golden Sun
3	UTE C 15-712-1(A)	Φ
4	UTE C 15-712-1(B)	Φ
5	UTE C 15-712-1(C)	Φ
6	VDE4110-MV	().
7	G99-England	230 (I > 16A)
8	G99-Scotland	240 (I > 16A)
9	CEI0-21	
10	RD1699/661	
11	RD1699/661-MV480	
12	C10/11	
13	AS4777	
14	AS4777-ACT	
15	AS4777-NSW-ESS	
16	AS4777-NSW-AG	

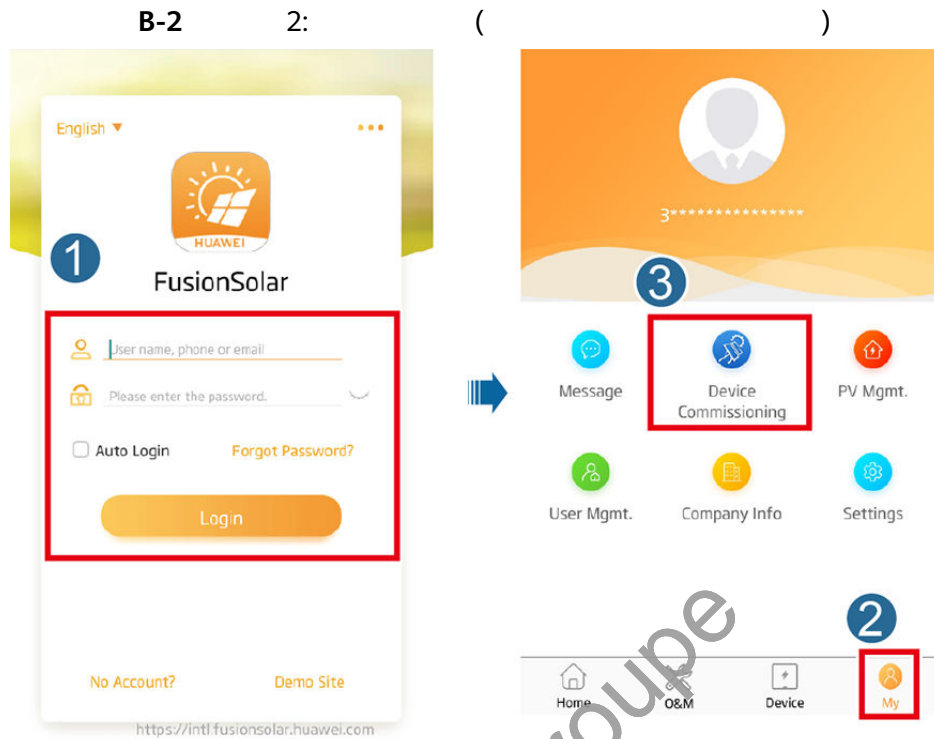
No.		
17	AS4777-QLD	
18	AS4777-SA	
19	AS4777-VIC	
20	IEC61727	IEC 61727 (50)
21	CEIO-16	
22	CHINA-MV480	
23	CHINA-MV	
24	TAI-PEA	
25	TAI-MEA	
26	VDE4110-MV480	
27	G99-England-MV480	UK 480 (I > 16 A)
28	IEC61727-MV480	IEC 61727 MV grid-tied power grid (50 Hz)
29	UTE C 15-712-1-MV480	Φ
30	TAI-PEA-MV480	(PEA)
31	TAI-MEA-MV480	(MEA)
32	C11/C10-MV480	
33	Philippines	Φ
34	Philippines-MV480	Φ
35	NRS-097-2-1	
36	IEC61727-60Hz	IEC 61727 , ' (60)
37	IEC61727-60Hz-MV480	IEC 61727 , ' (60)
38	CHINA_MV500	
39	PO12.3-MV480	
40	EN50549-LV	
41	EN50549-MV480	

No.		
42	ABNT NBR 16149	
43	ABNT NBR 16149-MV480	
44	SA_RPPs	-
45	SA_RPPs-MV480	-
46	INDIA	
47	INDIA-MV500	
48	G99-TYPEA-LV	UK G99_TypeA_
49	G99-TYPEB-LV	UK G99_TypeB_
50	G99-TYPEB-HV	UK G99_TypeB_
51	G99-TYPEB-HV-MV480	UK G99_TypeB_
52	G99-TYPEA-HV	UK G99_TypeA_
53	EN50549-MV400	
54	VDE-AR-N4110	230
55	VDE-AR-N4110-MV480	
56	NTS	
57	NTS-MV480	
58	CEA	(CEA)
59	CEA-MV480	(CEA)
60	C10/11-MV400	

B

1





2 WLAN

- NOTICE**
- SUN2000 WLAN (IEEE 802.11 b/g/n, 2,4), SUN2000. WPA, WPA2 (WPA/WPA2). WEP, WPA TKIP, WPA2, WPA/WPA2.
 - SUN2000 WLAN (IEEE 802.11 b/g/n, 2,4), SUN2000. WPA, WPA2 (WPA/WPA2). WEP, WPA TKIP, WPA2, WPA/WPA2.
 - SUN2000 WLAN (IEEE 802.11 b/g/n, 2,4), SUN2000. WPA, WPA2 (WPA/WPA2). WEP, WPA TKIP, WPA2, WPA/WPA2.
 - SUN2000 WLAN (IEEE 802.11 b/g/n, 2,4), SUN2000. WPA, WPA2 (WPA/WPA2). WEP, WPA TKIP, WPA2, WPA/WPA2.

 NOTE

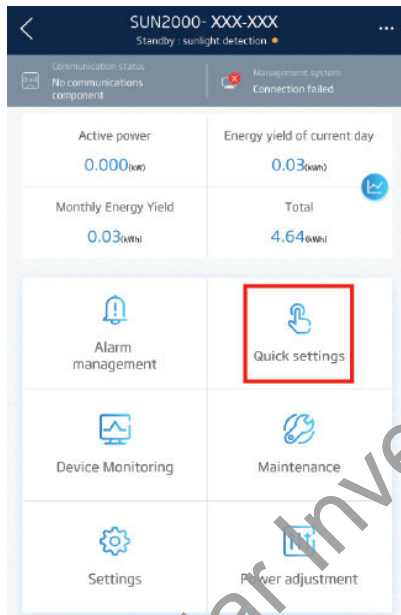
-
-
-

WLAN

SUN2000,

SUN2000

B-3



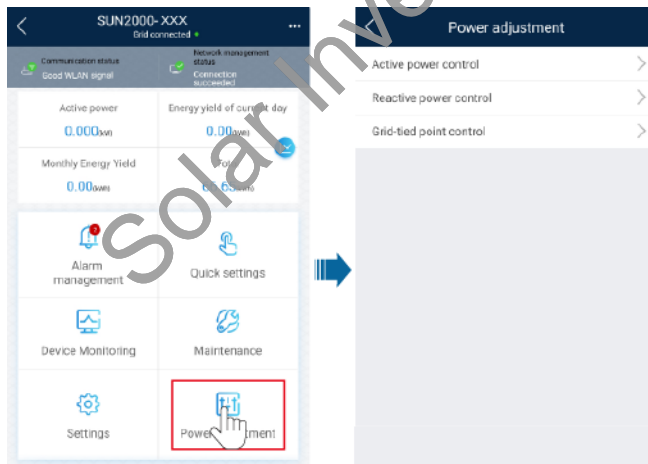
C

1

«

»

C-1



D

PID Recovery

NOTICE

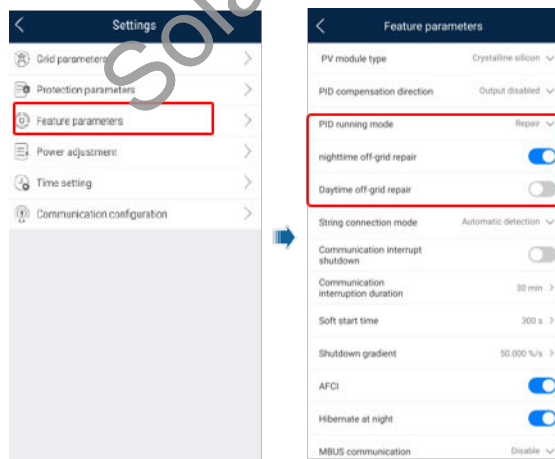
PID

1

>

D-1

PID



 NOTE

-
-

PID ()



PID ()

Solar Invest Groupe

E

PV , PV 30

- 1 ():
- 2:
- 3: DIN5 15)

Solar Invest Groupe

G

1

«



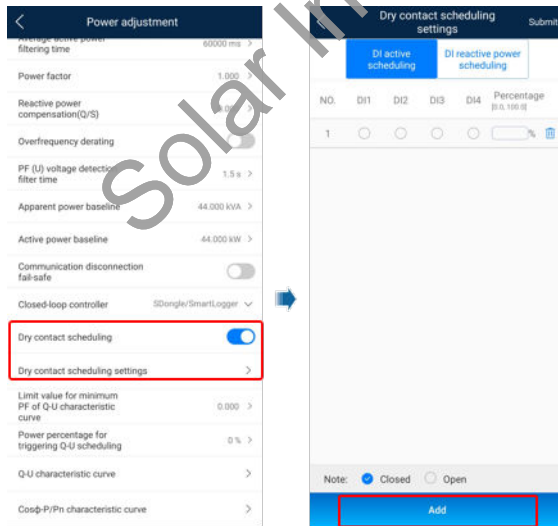
«

»

«

»

G-1





Φ

Huawei SUN2000s
1699B-2018,

UL

SUN2000

FusionSolar,

>

AFCI.

Φ AFCI
SUN2000
SUN2000

AFCI.
24

24 , SUN2000

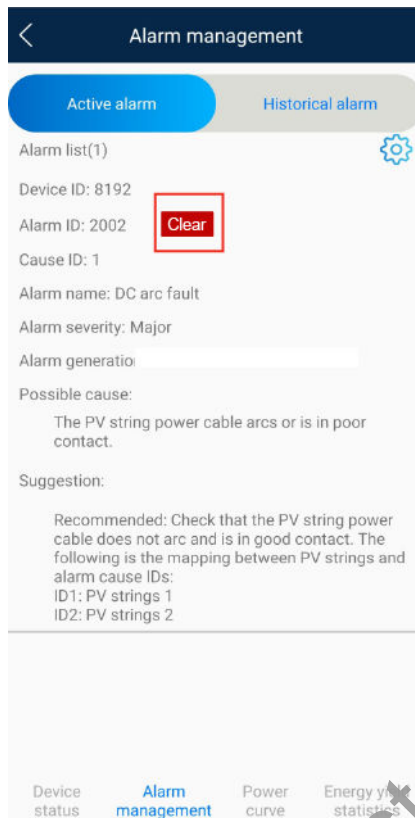
SUN2000,

- 1: FusionSolar
FusionSolar

SUN2000,

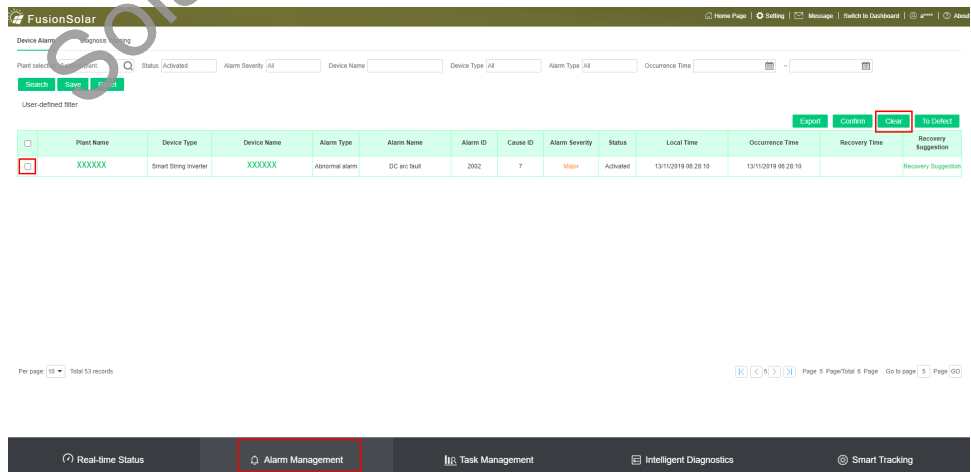
AFCI,

H-1



- 2: FusionSolar Smart PV Intelligent O&M > Alarm Management, FusionSolar Smart PV

H-2

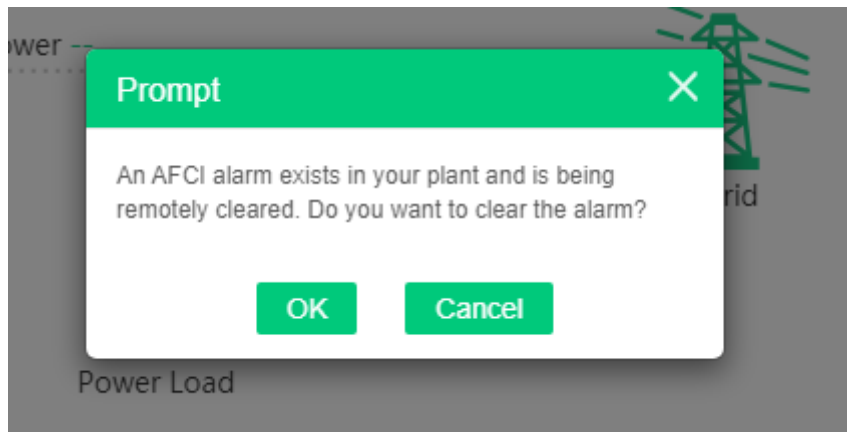


PV

PV

OK,

H-3



Solar Invest Groupe



I-V

PV

Smart I-V Curve Diagnosis FusionSolar 6.0.

Smart

Solar Invest Groupe

J

A

AFC

L

LED

M

MBUS

MPP

MPPT

P

PE

PID

PV

R

RCD

Solar Invest Groupe