

SUN2000-3-10KTL-M1



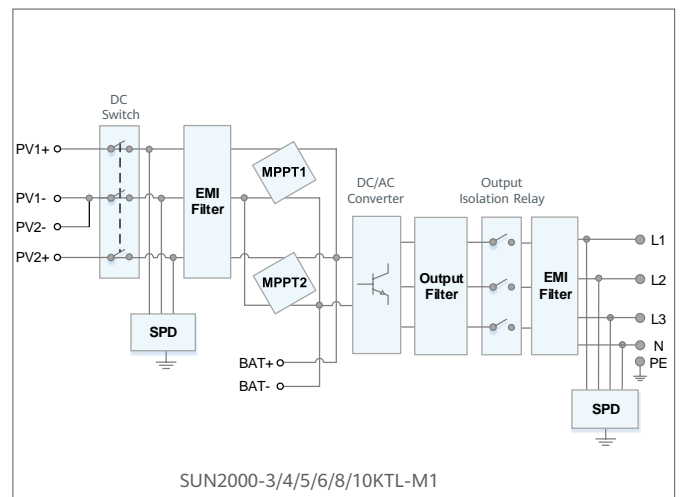
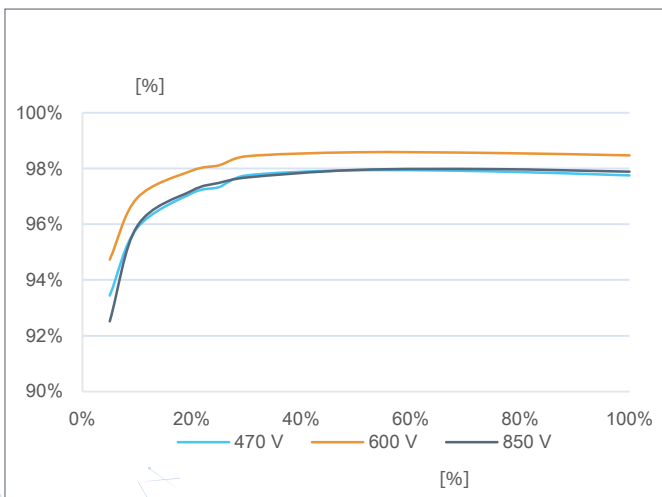
98,6%



17 kg



Plug & Play 1



	SUN2000-3KTL-M1	SUN2000-4KTL-M1	SUN2000-5KTL-M1	SUN2000-6KTL-M1	SUN2000-8KTL-M1	SUN2000-10KTL-M1
	98.2%	98.3%	98.4%	98.6%	98.6%	98.6%
	96.7%	97.1%	97.5%	97.7%	98.0%	98.1%

(PV)							
PV	1	4,500 Wp	6,000 Wp	7,500 Wp	9,000 Wp	12,000 Wp	15,000 Wp
	2				1,100 V		
	3				140 V ~ 980 V		
					200 V		
					600 V		
	MPPT				11 A		
					15 A		
	MPP				2		
					1		

(DC)							
					HUAWEI Smart String ESS 5kWh - 30kWh		
					600 V ~ 980 V		
					16 A		
					10,000 W		
		3,300 W	4,400 W	5,500 W	6,600 W	8,800 W	10,000 W

()							
		3,000 W	4,000 W	5,000 W	6,000 W	8,000 W	10,000 W
		3,300 VA	4,400 VA	5,500 VA	6,600 VA	8,800 VA	11,000 VA ⁴
		220 Vac / 380 Vac, 230 Vac / 400 Vac, 3W / N+PE					
		50 Hz / 60 Hz					
		5.1 A	6.8 A	8.5 A	10.1 A	13.5 A	16.9 A ⁵
		0.8 leading ... 0.8 lagging					
		≤ 3 %					

()							
					Backup Box - B1		
		3,000 VA	3,300 VA	3,300 VA	3,300 VA	3,300 VA	3,300 VA
		220 V / 230 V					
		13.6 A	15 A	15 A	15 A	15 A	15 A
		0.8 leading ... 0.8 lagging					

	DC					
	DC				II	EN/IEC 61643-11
					II	EN/IEC 61643-11
	PID ⁶					

						-25 ~ + 60 °C (-13 °F ~ 140 °F)
						0 %RH ~ 100 %RH
						0 ~ 4,000 m (13,123 ft.) (2000 m)
						WLAN + FusionSolar App
						RS485; WLAN/Ethernet via Smart Dongle-WLAN-FE; 4G / 3G / 2G via Smart Dongle-4G (Optional)
						17 kg (37.5 lb)
						525 x 470 x 146.5 mm (20.7 x 18.5 x 5.8 inch)
						IP65
						< 5.5 W ⁷

DC MBUS						SUN2000-450W-P
---------	--	--	--	--	--	----------------

()						
						EN/IEC 62109-1, EN/IEC 62109-2, IEC 62116
						G98, G99, EN 50438, CEI 0-21, VDE-AR-N-4105, AS 4777, C10/11, ABNT, UTE C15-712, RD 1699, TOR D4, NRS 097-2-1, IEC61727, IEC62116, DEWA, IEC60068, IEC61683 ⁸

